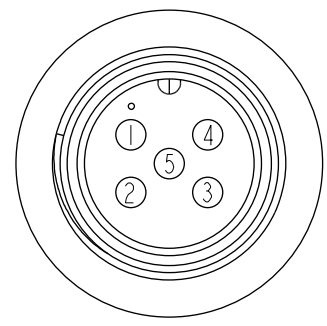
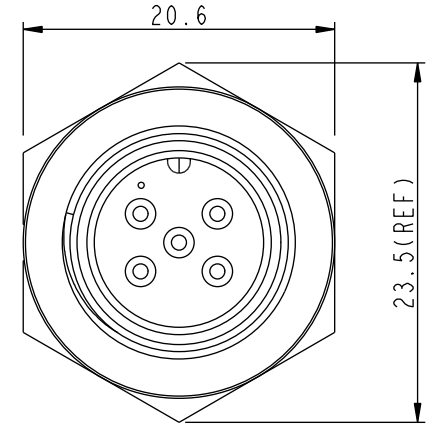
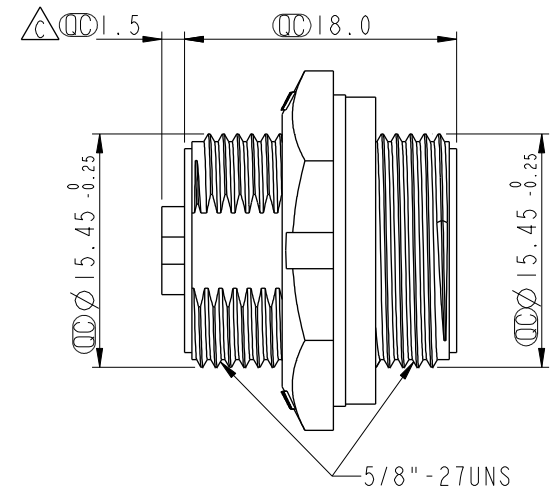
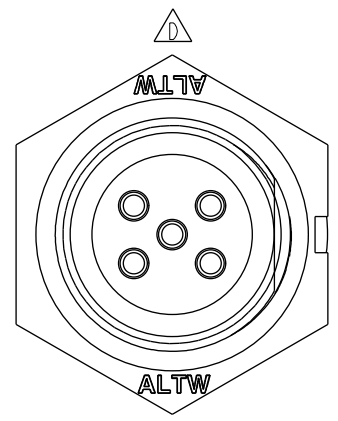


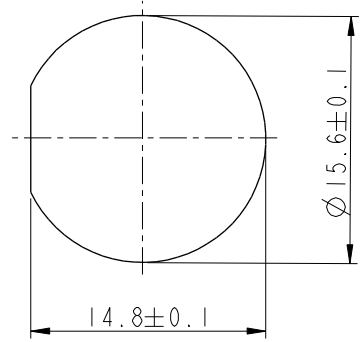
THIS DOCUMENT IS SUBJECT TO CHANGE WITHOUT NOTICE. IT IS CONFIDENTIAL AND A PROPERTY OF AMPHENOL LTW. DISCLOSURE TO THIRD PARTY HAS TO BE AUTHORIZED BY AMPHENOL LTW.

REV.	ECN NO.	DATE	SIGN	DESCRIPTION
B	LEN-8B0560	2008/09/19	Shin	Add Note and Change Format to Standard
C	LEN-940071	2009/03/19	LiuShuYun	Change Size 1.50 to 1.5
D	CI90273	2019/02/23	Ruru	Modify Note & Change Logo

ALTW
 CONFIDENTIAL
 2019-02-23
 R&D DEPT.

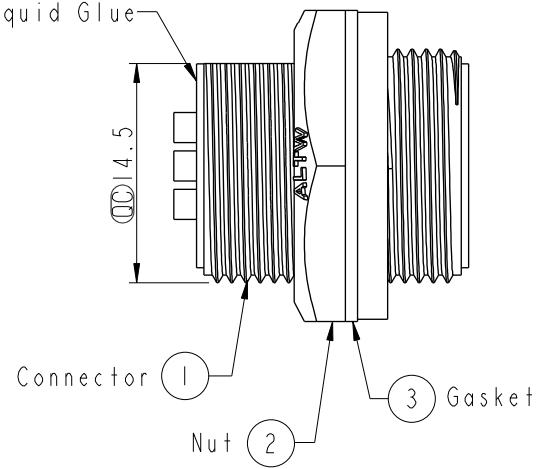


Pin Assignments
Front View



Recommended Panel Cut-out

With Liquid Glue



Note: $\triangle D$

- * CC Important Dimension To Check.
- * Waterproof Rate: IP67, Unmated
- * Housing: Thermoplastic, Black
- * Pin: Copper Alloy, Gold Plated
- * Nut: Thermoplastic, Black
- * Gasket: Rubber, Black
- $\triangle B$ * Use With Waterproof Cap Or Dust Cap
Panel Thickness Max: 4.0mm
- $\triangle B$ * Use Without Waterproof Cap Or Dust Cap
Panel Thickness Max: 5.0mm
- * Gasket and Nut are packed separately in PE bags.

UNIT:mm TOLERANCE .X ±0.25 .XX ±0.1 .XXX ±0.05 ANGLES ±1°	TITLE Standard, Rear Screw 5P M Conn M Pin			Amphenol LTW 安費諾亮泰企業股份有限公司		ITEM NO BD-05RMMS-SC7001	DRAWN BY Ruru	DATE 2019-02-23
	SCALE 2:1	SIZE A4	SHEET 1 OF 1			DWG NO BD-05RMMS-SC7001	CHECKED BY Rita	DATE 2019-02-23
	REV. D	WC-REV. A.3	CC : Inspection item	CUSTOMER ALTW	APPROVED BY Max	DATE 2019-02-23		
						6	7	8