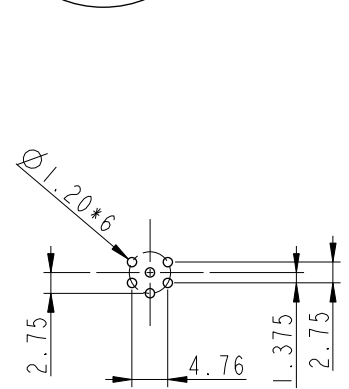
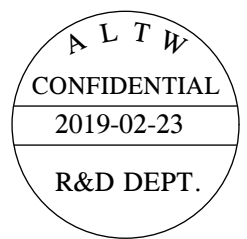
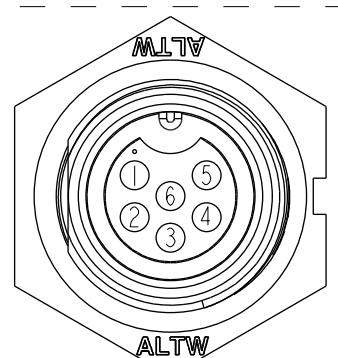
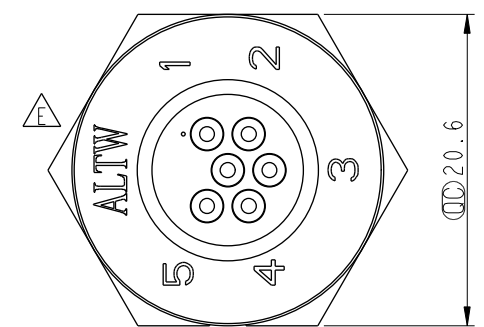
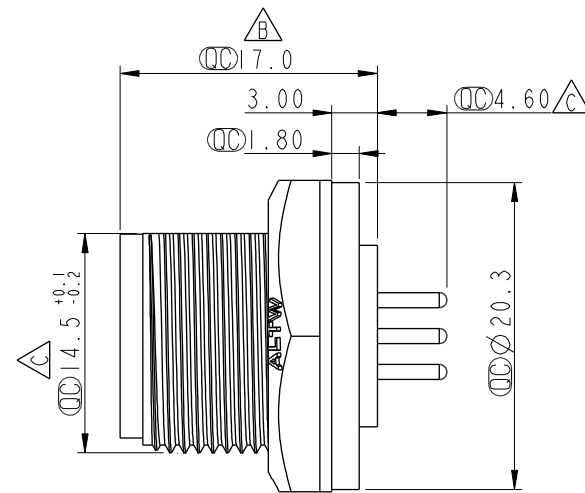
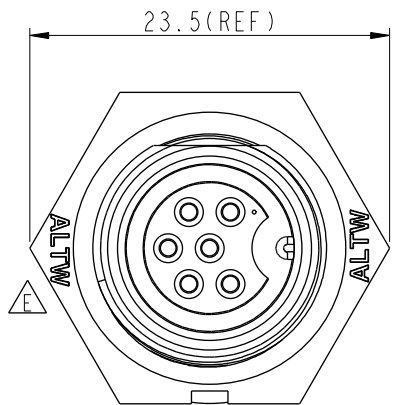


THIS DOCUMENT IS SUBJECT TO CHANGE WITHOUT NOTICE. IT IS CONFIDENTIAL AND A PROPERTY OF Amphenol LTW. DISCLOSURE TO THIRD PARTY HAS TO BE AUTHORIZED BY Amphenol LTW.

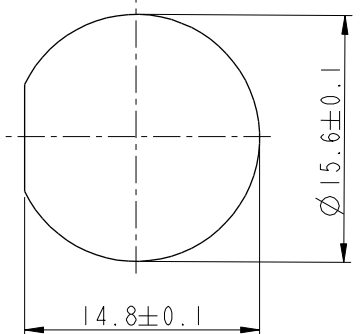
REV.	ECN NO.	DATE	SIGN	DESCRIPTION
D	LEN-870045	2007/11/05	Tina	Change to pin hole
E	LEN1660758	2016/06/08	Ruru	Change Logo
F	CI90273	2019/02/23	Ruru	Modify Note



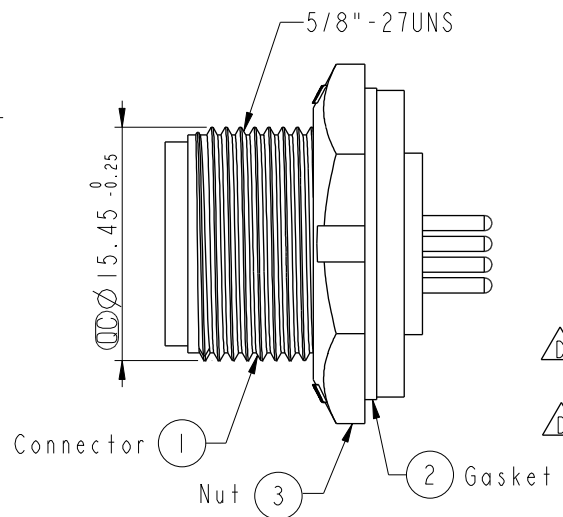
6 Pin Male Connector
Female Pin PCB Layout



Pin Assignments
Front View



Recommended Panel Cut-out



- Note: \triangle
- * CC Important Dimension To Check.
 - * Waterproof Rate: IP67, Unmated
 - * Housing: Thermoplastic, Black
 - * Pin: Copper Alloy, Gold Plated
 - * Nut: Thermoplastic, Black
 - * Gasket: Rubber, Black
 - \triangle * Use With Waterproof Cap Or Dust Cap
For Panel Thickness Max: 3.0mm
 - \triangle * Use Without Waterproof Cap Or Dust Cap
For Panel Thickness Max: 4.0mm
 - * Gasket and Nut are packed separately
in PE bags.

UNIT:mm	
TOLERANCE	
.X	±0.25
.XX	±0.1
.XXX	±0.05
ANGLES	±1°

TITLE Standard Panel Lock 6Pin M Conn F Pin			
SCALE 2:1	SIZE A4	SHEET 1 OF 1	
REV. F	WC-REV. A.3	CC : Inspection item	

Amphenol LTW
安費諾亮泰企業股份有限公司

ITEM NO. BD-06PMFP-SC7001	DRAWN BY Ruru	DATE 2019-02-23
DWG NO. BD-06PMFP-SC7001	CHECKED BY Rita	DATE 2019-02-23
CUSTOMER ALTW	APPROVED BY Max	DATE 2019-02-23