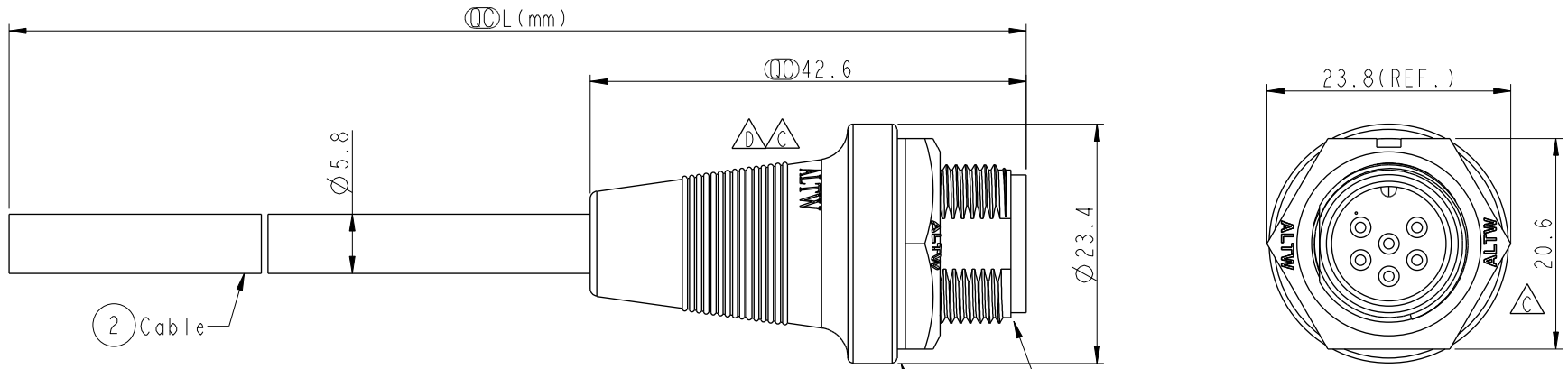


THIS DOCUMENT IS SUBJECT TO CHANGE WITHOUT NOTICE. IT IS CONFIDENTIAL AND A PROPERTY OF Amphenol LTW. DISCLOSURE TO THIRD PARTY HAS TO BE AUTHORIZED BY Amphenol LTW.

REV.	ECN NO.	DATE	SIGN	DESCRIPTION
B	LEN-8B0509-512	2008/09/19	Shin	Add Note
C	LEN15A0201-204	2015/09/25	Vicky	Update Logo & Note
D	LEN17A0020-023	2017/09/28	Ruru	Update View

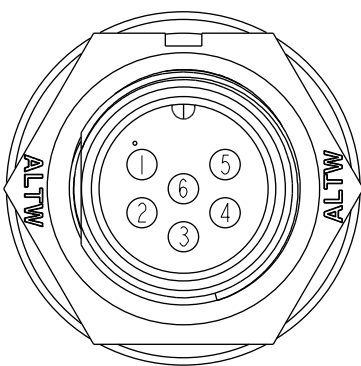


BD-06PMMM-SL7AXX

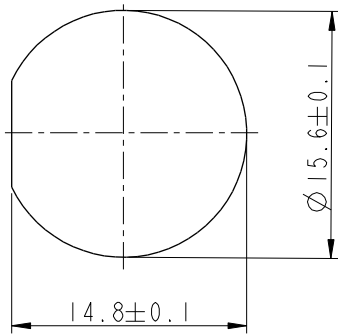
XX:01~99Meter
 01:01Meter
 02:02Meters
 ...
 99:99Meters

Cable Length(L):01~99Meters

- Note:
- * \varnothing Important Dimensions To Check
 - * Waterproof Rate: IP67
 - * Housing: Nylon+GF, Black
 - * Male Pin: Copper Alloy, Gold Plated
 - * Cable: UL2464 24#*6C+D+Al/My,UV, PVC Jacket, Black, OD=5.8mm
 - * $\triangle B$ Use with waterproof cap or dust cap
Panel Thickness Max: 2.5mm
 - * $\triangle B$ Use without waterproof cap or dust cap
Panel Thickness Max: 3.5mm
 - * $\triangle C$ Cable Length Tolerance: 1M:±40mm
2M~5M:±60mm
6M~10M:±100mm
11M~30M:±200mm
31M~99M:±500mm



Pin Assignments Front View



Recommended Panel Cut-Out

6	White	白
5	Red	紅
4	Orange	橙
3	Yellow	黃
2	Green	綠
1	Blue	藍
Conn.	Wire Color	
	Pin Out	

A	UNIT:mm		TITLE Standard Cable Screw 6Pin M Conn M Pin			ITEM NO	DRAWN BY	DATE
	TOLERANCE	±0.5 mm	SCALE 3:2	SIZE A4	SHEET 1 OF 1	DWG NO BD-06PMMM-SL7AXX	CHECKED BY	DATE
			REV. D	WC-REV. A.1	\varnothing : Inspection item	CUSTOMER ALTW	APPROVED BY	DATE
							Max	2017-09-28
<h1>Amphenol LTW</h1> <p>安費諾亮泰企業股份有限公司</p>							Ruru	2017-09-28
							Rita	2017-09-28