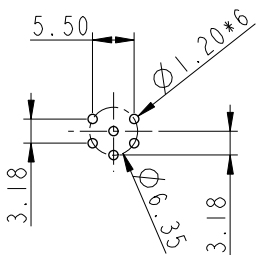
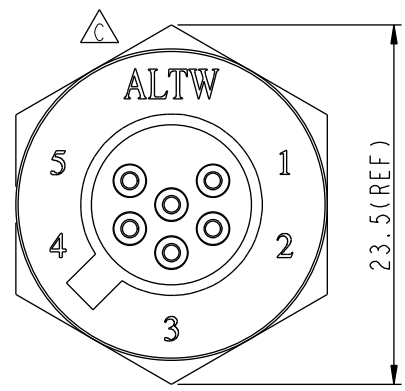
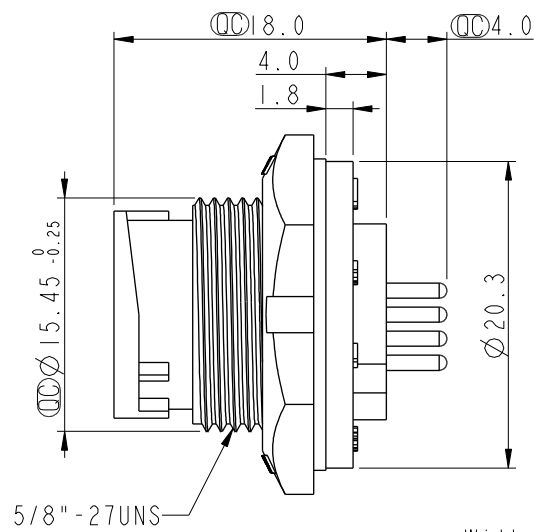
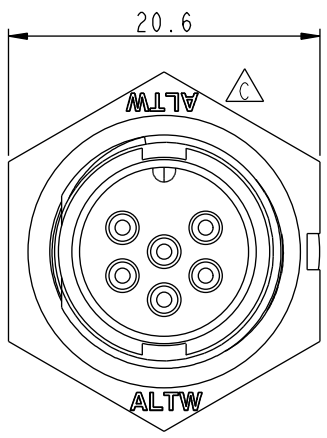


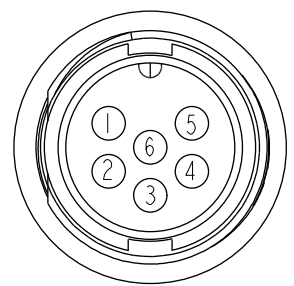
THIS DOCUMENT IS SUBJECT TO CHANGE WITHOUT NOTICE. IT IS CONFIDENTIAL AND A PROPERTY OF Amphenol LTW. DISCLOSURE TO THIRD PARTY HAS TO BE AUTHORIZED BY Amphenol LTW.

REV.	ECN NO.	DATE	SIGN	DESCRIPTION
B	LEN-8B0388	2008/09/17	Shin	Add Note
C	LEN1530182	2014/12/17	Ruru	Change Logo
D	CI90273	2019/02/23	Ruru	Modify Note

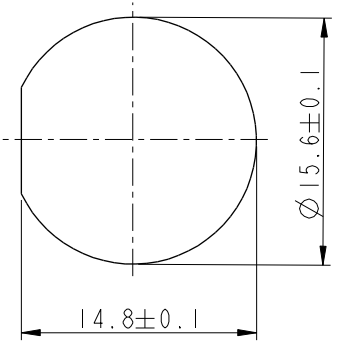
ALTW
CONFIDENTIAL
 2019-02-23
R&D DEPT.



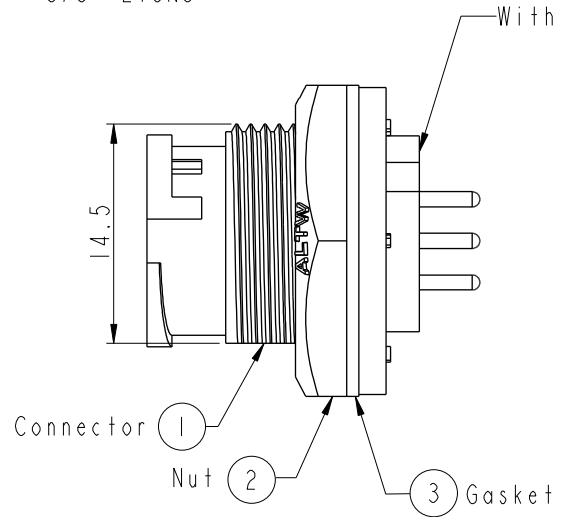
6 Pin Male Connector
Male Pin PCB Layout



Pin Assignments
Front View



Recommended Panel Cut-out



Note: \triangle

- * CC Important Dimension To Check.
- * Waterproof Rate: IP67, Unmated
- * Housing: Thermoplastic, Black
- * Pin: Copper Alloy, Gold Plated
- * Nut: Thermoplastic, Black
- * Gasket: Rubber, Black
- \triangle * Use With Waterproof Cap Or Dust Cap
Panel Thickness Max: 3.0mm
- \triangle * Use Without Waterproof Cap Or Dust Cap
Panel Thickness Max: 4.5mm
- * Gasket and Nut are packed separately in PE bags.

UNIT:mm		
TOLERANCE		
.X	±0.25	
.XX	±0.1	
.XXX	±0.05	
ANGLES	±1°	

TITLE Standard Panel Lock 6Pin M Conn M Pin			
SCALE 2:1	SIZE A4	SHEET 1 OF 1	
REV. D	WC-REV. A.4	CC : Inspection item	

Amphenol LTW
安費諾亮泰企業股份有限公司

ITEM NO. BD-06PMMP-LC7001	DRAWN BY Ruru	DATE 2019-02-23
DWG NO. BD-06PMMP-LC7001	CHECKED BY Rita	DATE 2019-02-23
CUSTOMER ALTW	APPROVED BY Max	DATE 2019-02-23