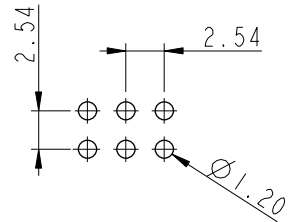
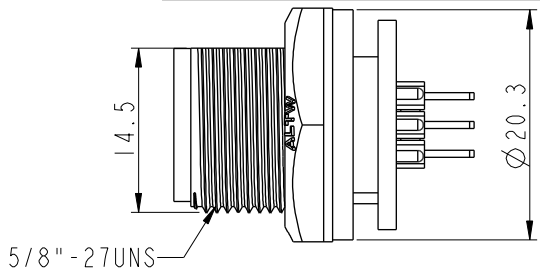
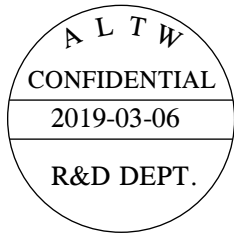
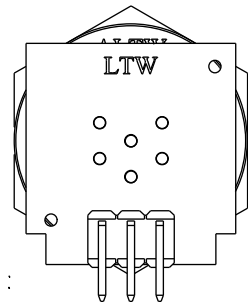
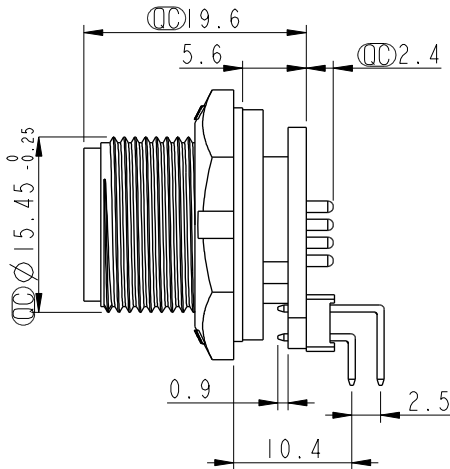
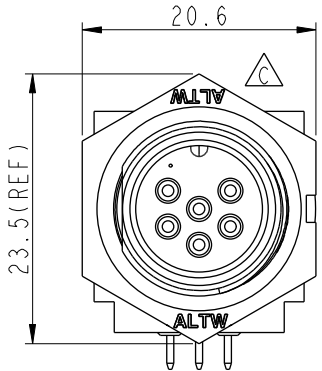


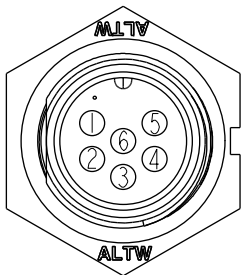
REV.	ECN NO.	DATE	SIGN	DESCRIPTION
C	LEN1730283	2017/03/20	Ruru	Change Logo
D	CI90273	2019/03/06	Ruru	Modify Note



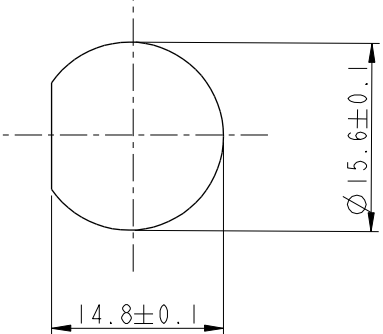
6 Pin Male Connector
Male Pin PCB Layout



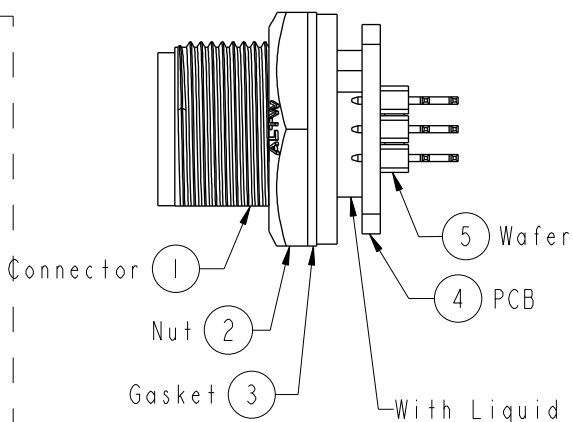
- Note:
- * Important Dimension To Check.
 - * Waterproof Rate: IP67, Unmated
 - * Housing: Thermoplastic, Black
 - * Pin: Copper Alloy, Gold Plated
 - * Nut: Thermoplastic, Black
 - * Gasket: Rubber, Black
 - * PCB: FR4 EPOXY Glass
 - * Wafer: PH=2.54 雙排, 90°
 - * Use With Waterproof Cap Or Dust Cap
Panel Thickness Max: 3.0mm
 - * Use Without Waterproof Cap Or Dust Cap
Panel Thickness Max: 4.5mm
 - * Gasket and Nut are packed separately in PE bags.



Pin Assignments
Front View



Recommended Panel Cut-out



UNIT:mm

TOLERANCE	
.X	±0.25
.XX	±0.1
.XXX	±0.05
ANGLES	±1°

TITLE Circular Panel Screw 6Pin M Conn M Pin For R/A			
SCALE	SIZE	SHEET	OF
1:1	A4	1	1
REV.	WC-REV.	QC: Inspection item	
D	A.3		

Amphenol LTW
安費諾亮泰企業股份有限公司

ITEM NO	BD-06PMMR-SC7001	DRAWN BY	Ruru	DATE	2019-03-06
DWG NO	BD-06PMMR-SC7001	CHECKED BY	Rita	DATE	2019-03-06
CUSTOMER	ALTW	APPROVED BY	Max	DATE	2019-03-06

THIS DOCUMENT IS SUBJECT TO CHANGE WITHOUT NOTICE. IT IS CONFIDENTIAL AND A PROPERTY OF Amphenol LTW. DISCLOSURE TO THIRD PARTY HAS TO BE AUTHORIZED BY Amphenol LTW.