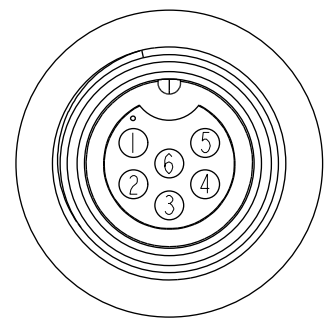
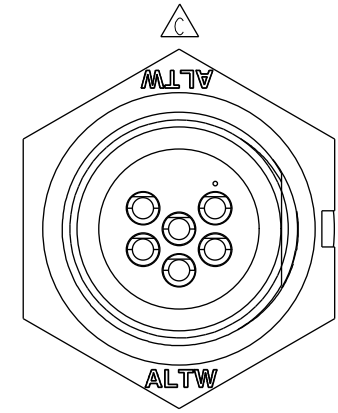
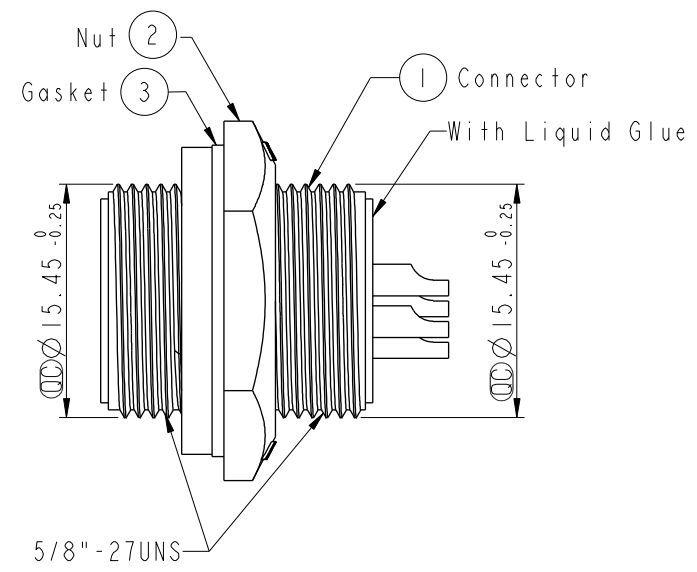
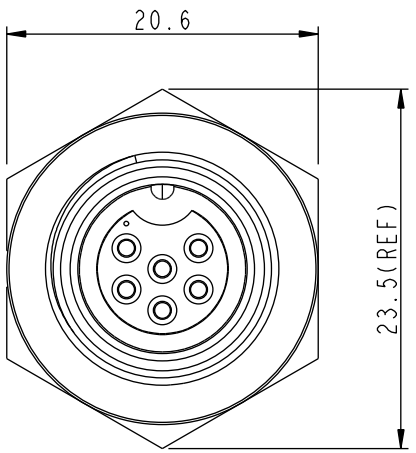


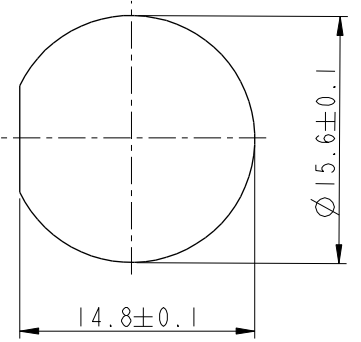
THIS DOCUMENT IS SUBJECT TO CHANGE WITHOUT NOTICE. IT IS CONFIDENTIAL AND A PROPERTY OF Amphenol LTW. DISCLOSURE TO THIRD PARTY HAS TO BE AUTHORIZED BY Amphenol LTW.

REV.	ECN NO.	DATE	SIGN	DESCRIPTION
B	LEN-8B0573	2008/09/10	Shin	Add Note
C	CI90273	2019/02/23	Ruru	Modify Note & Change Logo

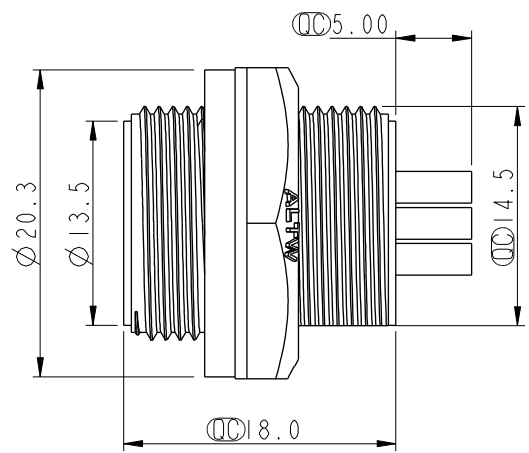
**ALTW**  
**CONFIDENTIAL**  
 2019-02-23  
**R&D DEPT.**



Pin Assignments  
Front View



Recommended Panel Cut-out



- Note:  $\triangle C$
- \*  $\text{CC}$  Important Dimension To Check.
  - \* Waterproof Rate: IP67, Unmated
  - \* Housing: Thermoplastic, Black
  - \* Pin: Copper Alloy, Gold Plated
  - \* Nut: Thermoplastic, Black
  - \* Gasket: Rubber, Black
  - $\triangle B$ \* Use With Waterproof Cap Or Dust Cap  
Panel Thickness Max: 4.0mm
  - $\triangle B$ \* Use Without Waterproof Cap Or Dust Cap  
Panel Thickness Max: 5.0mm
  - \* Gasket and Nut are packed separately in PE bags.

UNIT:mm  TOLERANCE .X ±0.25 .XX ±0.1 .XXX ±0.05 ANGLES ±1°	TITLE Standard, Rear Screw 6P M Conn F Pin			<b>Amphenol LTW</b> 安費諾亮泰企業股份有限公司		ITEM NO BD-06RMFS-SC7001	DRAWN BY Ruru	DATE 2019-02-23
	SCALE 2:1	SIZE A4	SHEET 1 OF 1			DWG NO BD-06RMFS-SC7001	CHECKED BY Rita	DATE 2019-02-23
	REV. C	WC-REV. A.3	$\text{CC}$ : Inspection item	CUSTOMER ALTW	APPROVED BY Max	DATE 2019-02-23		
						6	7	8