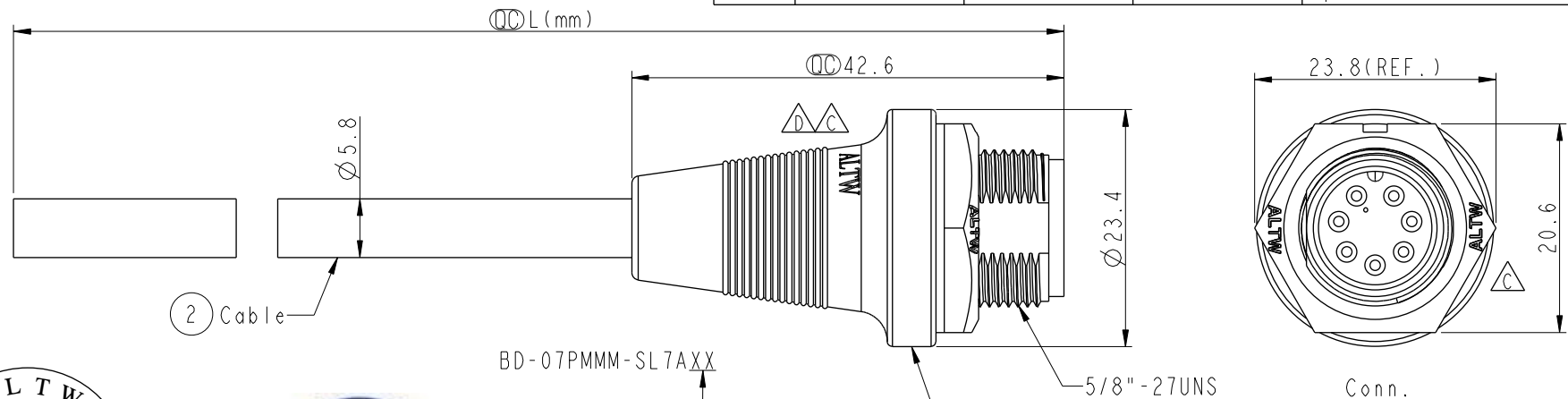


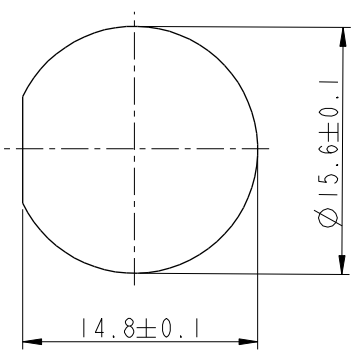
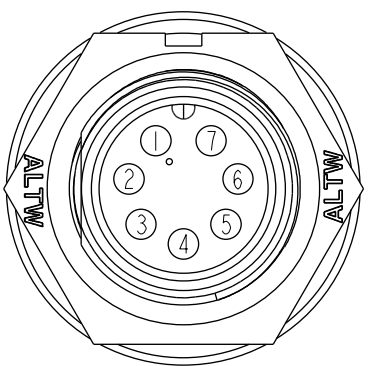
THIS DOCUMENT IS SUBJECT TO CHANGE WITHOUT NOTICE. IT IS CONFIDENTIAL AND A PROPERTY OF Amphenol LTW. DISCLOSURE TO THIRD PARTY HAS TO BE AUTHORIZED BY Amphenol LTW.

| REV. | ECN NO. | DATE | SIGN | DESCRIPTION |
|------|----------------|------------|-------|--------------------|
| B | LEN-8B0516-519 | 2008/09/19 | Shin | Add Note |
| C | LEN15A0211-214 | 2015/09/25 | Vicky | Update Logo & Note |
| D | LEN17A0024-027 | 2017/09/28 | Ruru | Update View |



BD-07PMMM-SL7AXX
 XX: 01~99Meter
 01: 01Meter
 02: 02Meters
 ...
 99: 99Meters
 Cable Length(L): 01~99Meters

- Note:
- * CC Important Dimensions To Check
 - * Waterproof Rate: IP67
 - * Housing: Nylon+GF, Black
 - * Male Pin: Copper Alloy, Gold Plated
 - * Cable: UL2464 24#*7C+D+AI/My,UV, PVC Jacket, Black, OD=5.8mm
- $\triangle B$ * Use with waterproof cap or dust cap
 Panel Thickness Max: 2.5mm
- $\triangle B$ * Use without waterproof cap or dust cap
 Panel Thickness Max: 3.5mm
- $\triangle C$ * Cable Length Tolerance: 1M: ± 40 mm
 2M~5M: ± 60 mm
 6M~10M: ± 100 mm
 11M~30M: ± 200 mm
 31M~99M: ± 500 mm



| | | |
|-------|------------|---------|
| 7 | White | 白 |
| 6 | Green | 綠 |
| 5 | Brown | 棕 |
| 4 | Red | 紅 |
| 3 | Yellow | 黃 |
| 2 | Orange | 橙 |
| 1 | Blue | 藍 |
| Conn. | Wire Color | Pin Out |

UNIT:mm
 TOLERANCE ± 0.5 mm

| TITLE | | | |
|--|-------------|-------------------------------|--|
| Standard Cable Screw 7Pin M Conn M Pin | | | |
| SCALE 3:2 | SIZE A4 | SHEET 1 OF 1 | |
| REV. D | WC-REV. A.1 | CC : Inspection item | |

Amphenol LTW
 安費諾亮泰企業股份有限公司

| ITEM NO | DRAWN BY | DATE |
|------------------|-------------|------------|
| | Ruru | 2017-09-28 |
| DWG NO | CHECKED BY | DATE |
| BD-07PMMM-SL7AXX | Rita | 2017-09-28 |
| CUSTOMER | APPROVED BY | DATE |
| ALTW | Max | 2017-09-28 |