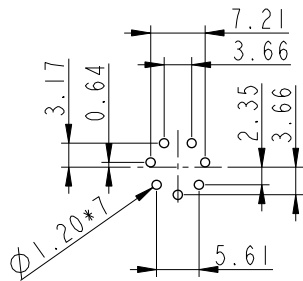
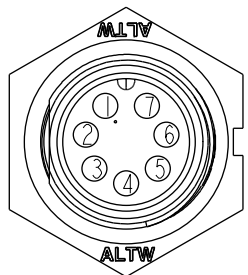
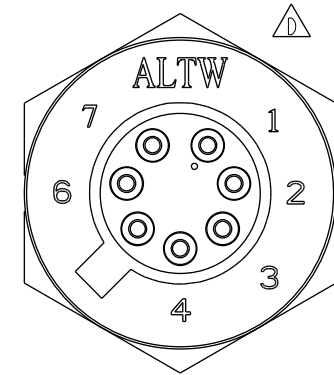
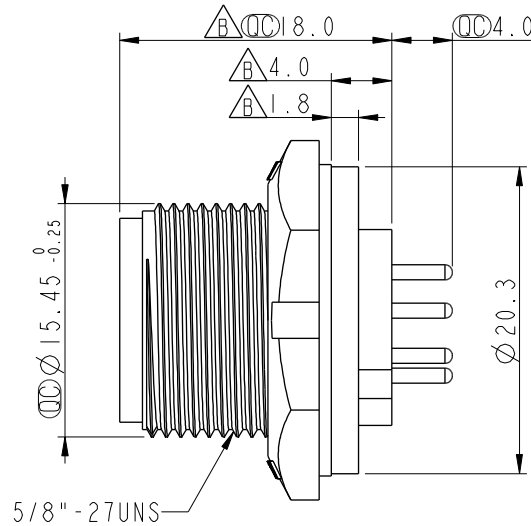
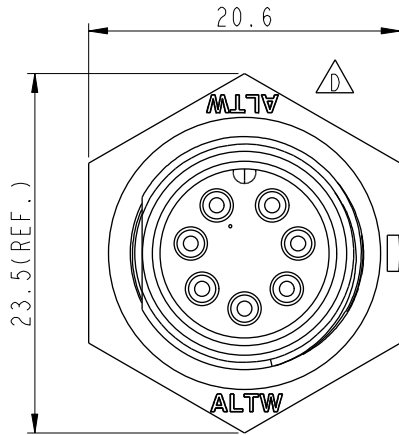


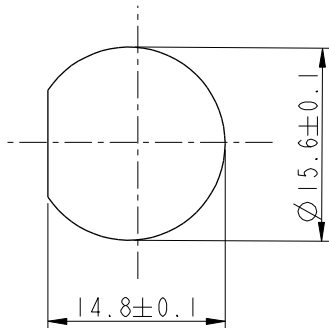
REV.	ECN NO.	DATE	SIGN	DESCRIPTION
C	LEN-8B0520	2008/09/17	Shin	Add Note
D	LEN1730284	2017/03/21	Ruru	Change Logo
E	CI90273	2019/02/25	Ruru	Modify Note



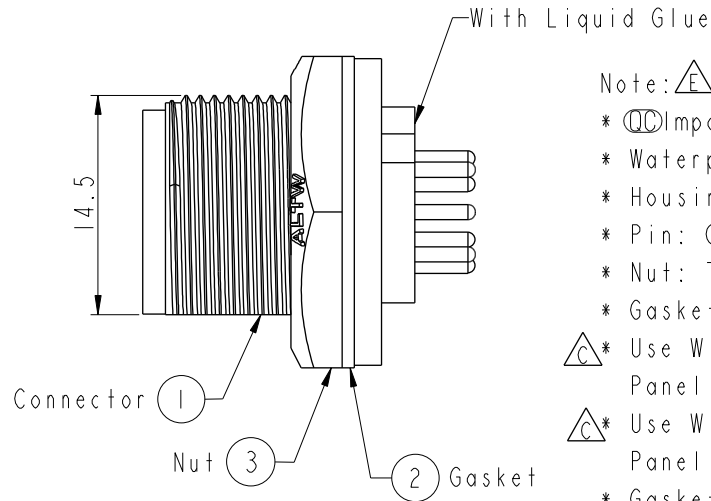
7 Pin Male Connector  
Male Pin PCB Layout



Pin Assignments  
Front View



Recommended Panel Cut-out

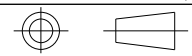


Note:  $\triangle$

- \*  $\text{⌀}$  Important Dimension.
- \* Waterproof Rate: IP67, Unmated
- \* Housing: Thermoplastic, Black
- \* Pin: Copper Alloy, Gold Plated
- \* Nut: Thermoplastic, Black
- \* Gasket: Rubber, Black
- $\triangle$ \* Use With Waterproof Cap Or Dust Cap  
Panel Thickness Max: 3.0mm
- $\triangle$ \* Use Without Waterproof Cap Or Dust Cap  
Panel Thickness Max: 4.0mm
- \* Gasket and Nut are packed separately in PE bags.

UNIT:mm

TOLERANCE	
.X	±0.25
.XX	±0.1
.XXX	±0.05
ANGLES	±1°



TITLE Standard Panel Screw 7Pin M Conn M Pin			
SCALE 2:1	SIZE A4	SHEET 1 OF 1	
REV. E	WC-REV. A.4	$\text{⌀}$ : Inspection item	

**Amphenol LTW**  
安費諾亮泰企業股份有限公司

ITEM NO. BD-07PMMP-SC7001	DRAWN BY Ruru	DATE 2019-02-25
DWG NO. BD-07PMMP-SC7001	CHECKED BY Rita	DATE 2019-02-25
CUSTOMER ALTW	APPROVED BY Max	DATE 2019-02-25

THIS DOCUMENT IS SUBJECT TO CHANGE WITHOUT NOTICE. IT IS CONFIDENTIAL AND A PROPERTY OF AMPHENOL LTW. DISCLOSURE TO THIRD PARTY HAS TO BE AUTHORIZED BY AMPHENOL LTW.