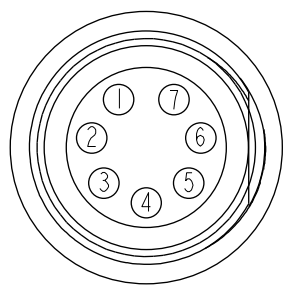
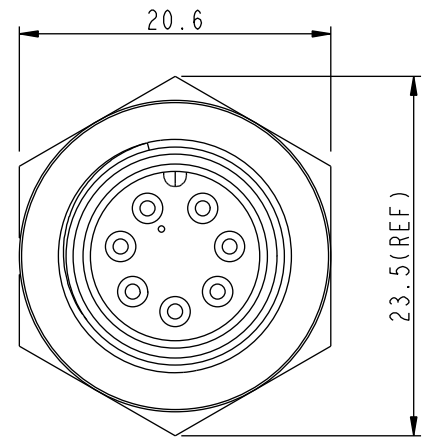
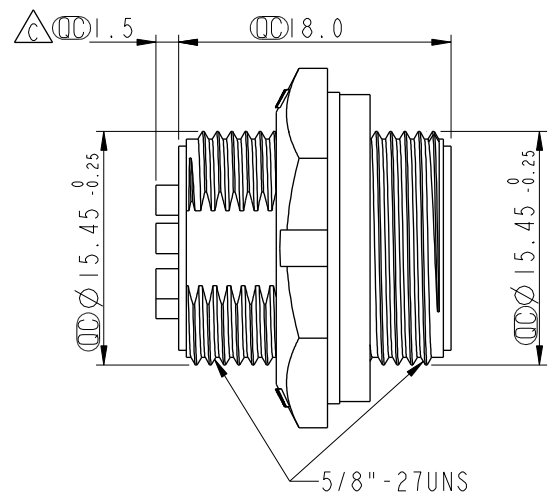
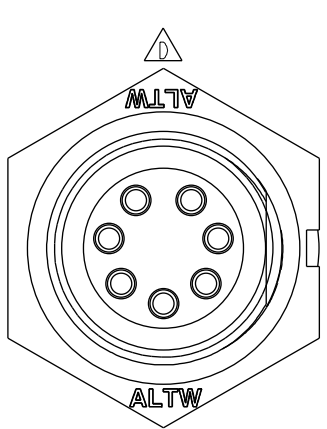


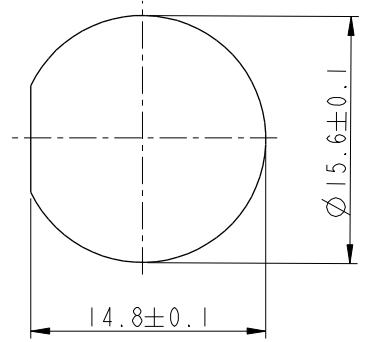
THIS DOCUMENT IS SUBJECT TO CHANGE WITHOUT NOTICE. IT IS CONFIDENTIAL AND A PROPERTY OF AMPHENOL LTW. DISCLOSURE TO THIRD PARTY HAS TO BE AUTHORIZED BY AMPHENOL LTW.

REV.	ECN NO.	DATE	SIGN	DESCRIPTION
B	LEN-8B0562	2008/09/19	Shin	Add Note and Change Format to Standard
C	LEN-940073	2009/03/19	LiuShuYun	Change Size 1.50 to 1.5
D	CI90273	2019/02/25	Ruru	Modify Note & Change Logo

**ALTW**  
 CONFIDENTIAL  
 2019-02-25  
 R&D DEPT.

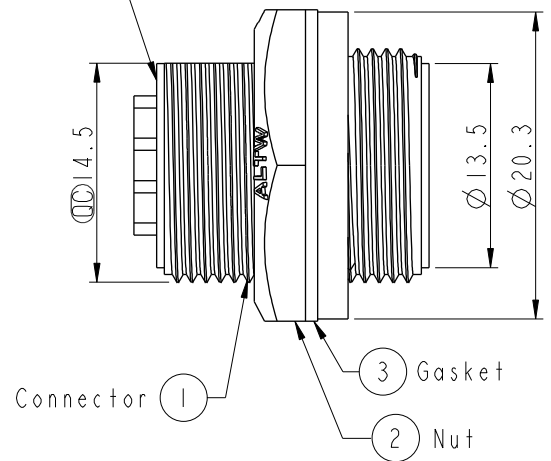


Pin Assignments  
Front View



Recommended Panel Cut-out

With Liquid Glue

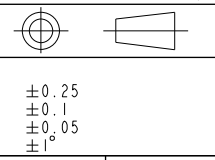


Note:  $\triangle D$

- \*  $\text{CC}$  Important Dimension To Check.
- \* Waterproof Rate: IP67, Unmated
- \* Housing: Thermoplastic, Black
- \* Pin: Copper Alloy, Gold Plated
- \* Nut: Thermoplastic, Black
- \* Gasket: Rubber, Black
- $\triangle B$ \* Use With Waterproof Cap Or Dust Cap  
Panel Thickness Max: 4.0mm
- $\triangle B$ \* Use Without Waterproof Cap Or Dust Cap  
Panel Thickness Max: 5.0mm
- \* Gasket and Nut are packed separately in PE bags.

UNIT: mm

TOLERANCE	
.X	±0.25
.XX	±0.1
.XXX	±0.05
ANGLES	±1°



TITLE Standard, Rear Screw 7P M Conn. M Pin			
SCALE 2:1	SIZE A4	SHEET 1 OF 1	
REV. D	WC-REV. A.3	$\text{CC}$ : Inspection item	

**Amphenol LTW**  
 安費諾亮泰企業股份有限公司

ITEM NO BD-07RMMS-SC7001	DRAWN BY Ruru	DATE 2019-02-25
DWG NO BD-07RMMS-SC7001	CHECKED BY Rita	DATE 2019-02-25
CUSTOMER ALTW	APPROVED BY Max	DATE 2019-02-25

DATE 2019-02-25
DATE 2019-02-25
DATE 2019-02-25

DATE 2019-02-25
DATE 2019-02-25
DATE 2019-02-25