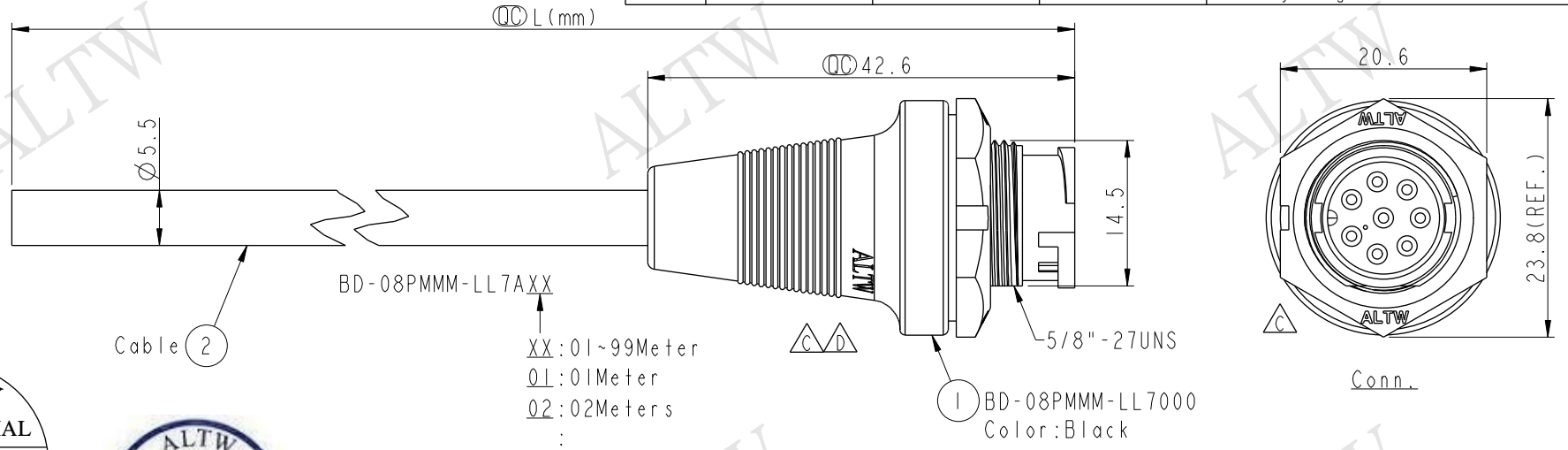


THIS DOCUMENT IS SUBJECT TO CHANGE WITHOUT NOTICE. IT IS CONFIDENTIAL AND A PROPERTY OF Amphenol LTW. DISCLOSURE TO THIRD PARTY HAS TO BE AUTHORIZED BY Amphenol LTW.

REV.	ECN NO.	DATE	SIGN	DESCRIPTION
B	LEN-8B0398-401	2008/09/19	Shin	Add Note
C	LEN15A0216-219	2015/10/01	Vicky	Update Logo & Note
D	LEN1650409-412	2016/05/13	Ruru	Modify Logo Position



Cable ②

BD-08PMMM-LL7AXX

XX: 01-99Meter
 01: 01Meter
 02: 02Meters
 ...
 99: 99Meters
 Cable Length(L): 01-99Meters

① BD-08PMMM-LL7000
 Color: Black

Conn.

ALTW
 CONFIDENTIAL
 2016-05-13
 R&D DEPT.

ALTW
 DCC. DEPT.
 CONFIDENTIAL
 2016.05.23
 ISSUED

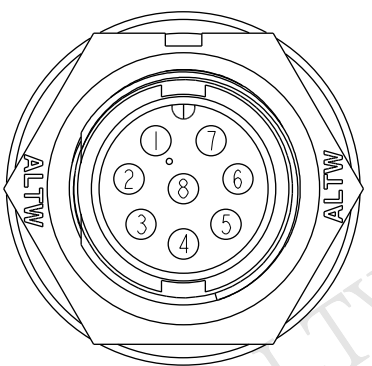
Note:

- * Ⓞ Important Dimensions To Check
- * Waterproof Rate: IP67
- * Housing: Nylon+GF, Black
- * Male Pin: Copper Alloy, Gold Plated
- * Cable: UL2464 24#*8C+D+Al/My,UV, PVC Jacket, Black, OD=5.5mm

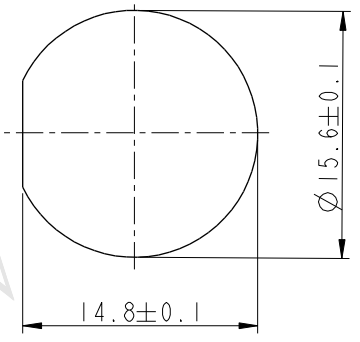
Ⓐ* Use with waterproof cap or dust cap
 Panel Thickness Max: 2.5mm

Ⓑ* Use without waterproof cap or dust cap
 Panel Thickness Max: 3.5mm

Ⓒ* Cable Length Tolerance: 1M: ±40mm
 2M~5M: ±60mm
 6M~10M: ±100mm
 11M~30M: ±200mm
 31M~99M: ±500mm



Pin Assignments
 Front View



Recommended Panel Cut-Out

8	Green	綠
7	Yellow	黃
6	Orange	橙
5	Red	紅
4	Blue	藍
3	White	白
2	Brown	棕
1	Black	黑
Conn.	Wire Color	
	Pin Out	

UNIT:mm
 TOLERANCE
 ±0.5 mm

TITLE
 Standard
 Cable Lock 8Pin M Conn M Pin

SCALE 3:2 SIZE A4 SHEET 1 OF 1

REV. D WC-REV. A.1 Ⓞ: Inspection item

Amphenol LTW
 安費諾亮泰企業股份有限公司

ITEM NO	DRAWN BY	DATE
DWG NO BD-08PMMM-LL7AXX	Ruru	2016-05-13
CUSTOMER	CHECKED BY	DATE
ALTW	Rita	2016-05-13
	APPROVED BY	DATE
	Lisa	2016-05-13