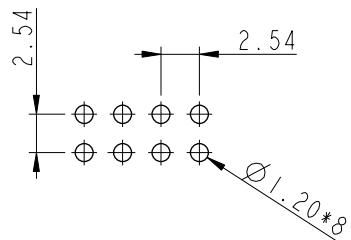
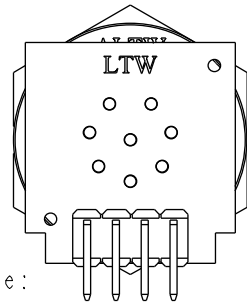
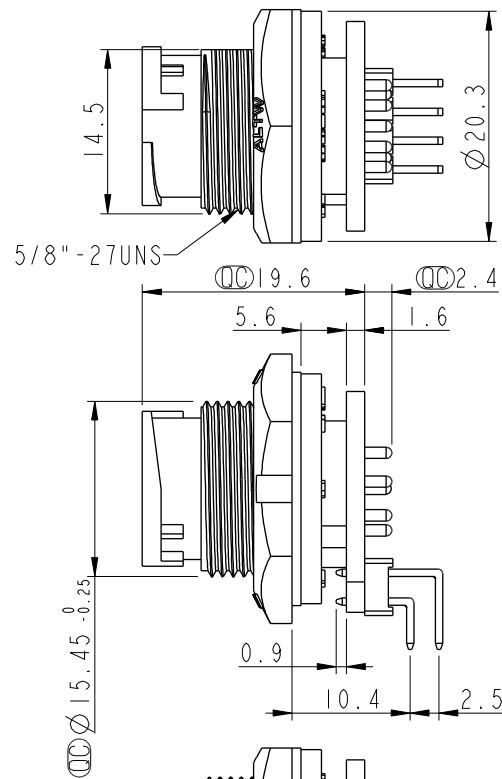
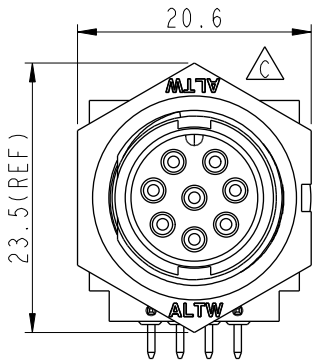


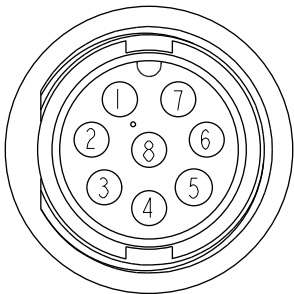
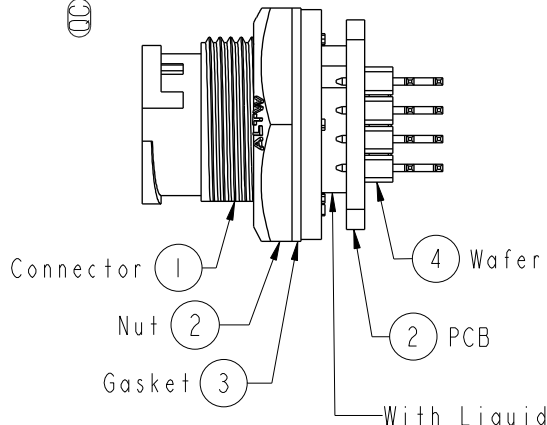
REV.	ECN NO.	DATE	SIGN	DESCRIPTION
C	LEN1730308	2017/03/21	Ruru	Change Logo
D	CI90273	2019/03/13	Ruru	Modify Note



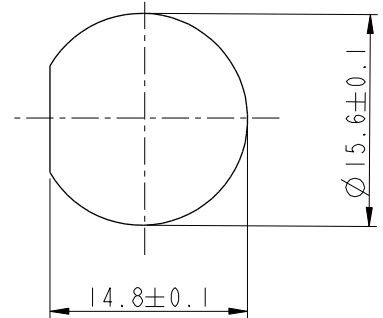
8 Pin Male Connector
Male Pin PCB Layout



- Note:
- * CC Important Dimension To Check.
 - * Waterproof Rate: IP67, Unmated
 - * Housing: Thermoplastic, Black
 - * Pin: Copper Alloy, Gold Plated
 - * Nut: Thermoplastic, Black
 - * Gasket: Rubber, Black
 - * PCB: FR4 EPOXY Glass
 - * Wafer: PH=2.54 雙排, 90°
 - * Use With Waterproof Cap Or Dust Cap
Panel Thickness Max: 3.0mm
 - * Use Without Waterproof Cap Or Dust Cap
Panel Thickness Max: 4.5mm
 - * Gasket and Nut are packed separately in PE bags.



Pin Assignments
Front View



Recommended Panel Cut-out

UNIT:mm	
TOLERANCE	
.X	±0.25
.XX	±0.1
.XXX	±0.05
ANGLES	±1°

TITLE Circular Panel Lock 8Pin M Conn M Pin For R/A			
SCALE 1:1	SIZE A4	SHEET 1 OF 1	
REV. D	WC-REV. A.5	CC : Inspection item	

Amphenol LTW
安費諾亮泰企業股份有限公司

ITEM NO. BD-08PMMR-LC7001	DRAWN BY Ruru	DATE 2019-03-13
DWG NO. BD-08PMMR-LC7001	CHECKED BY Rita	DATE 2019-03-13
CUSTOMER ALTW	APPROVED BY Max	DATE 2019-03-13

THIS DOCUMENT IS SUBJECT TO CHANGE WITHOUT NOTICE. IT IS CONFIDENTIAL AND A PROPERTY OF AMPHENOL LTW. DISCLOSURE TO THIRD PARTY HAS TO BE AUTHORIZED BY AMPHENOL LTW.