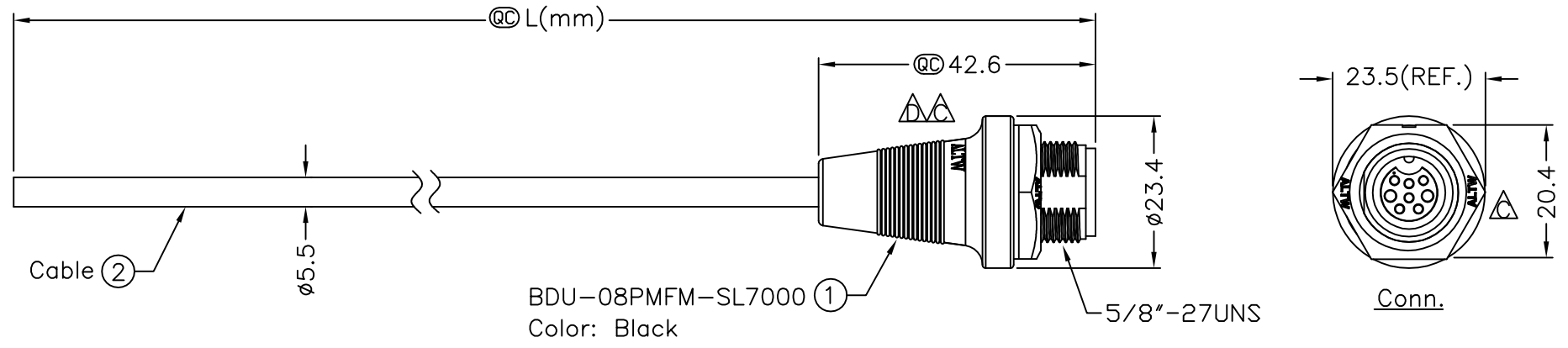


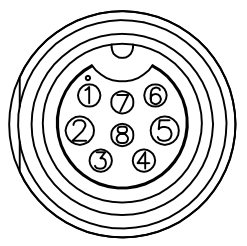
REV.	ECN NO.	DATE	SIGN	DESCRIPTION
B	LEN-8B0459~462	2008/09/22	Shin	Add Note
C	LEN1610179~182	2015/12/04	Ruru	Change Logo & Note
D	LEN17A0038~041	2017/09/27	Ruru	Update View



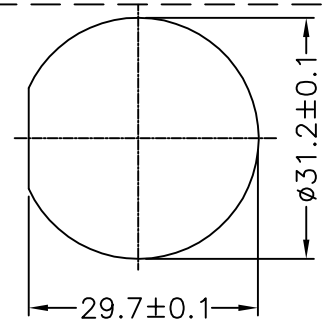
BDU-08PMFM-SL7AXX  
 XX:01~99Meter  
 01:01Meter  
 02:02Meters  
 ...  
 99:99Meters  
 Cable Length(L):01~99Meters



- Note:
- \* @C Important Dimension To Check.
  - \* Waterproof Rate: IP67
  - \* Housing: Nylon+GF, Black
  - \* Pin: Copper Alloy, Gold Plated
  - \* Cable: UL2464 26AWG\*6C+24AWG\*2C+Drain+Al/My, PVC Jacket UV Resistant, OD=5.5mm, Black
  - △\* Use with waterproof cap or dust cap  
Panel Thickness Max: 2.5mm
  - △\* Use without waterproof cap or dust cap  
Panel Thickness Max: 3.5mm
  - △\* Cable Length Tolerance: 01M: ±40mm  
02M~05M: ±60mm  
06M~10M: ±100mm  
11M~30M: ±200mm  
31M~99M: ±500mm



Pin Assignments  
Front View



Recommended Panel Cut-Out

Red (26AWG) 紅色	8
Pink (26AWG) 粉紅色	7
Grey (26AWG) 灰色	6
Blue (24AWG) 藍色	5
Yellow (26AWG) 黃色	4
Green (26AWG) 綠色	3
Brown (24AWG) 棕色	2
White (26AWG) 白色	1
Wire Color	Conn.
Pin Out	

UNIT:mm		TITLE	Standard
TOLERANCE	±0.5 mm	Cable Screw 8Pin M Conn. F Pin	
SCALE	Free	SHEET	1 OF 1
REV.	D	SIZE	A4
@C :Inspection Item			

**Amphenol LTW**  
 安費諾亮泰企業股份有限公司

ITEM NO	DRAWN BY	DATE
DWG NO	CHECKED BY	DATE
CUSTOMER	APPROVED BY	DATE
	Ruru	2017/09/27
BDU-08PMFM-SL7AXX	Rita	2017/09/27
ALTW	Max	2017/09/27

THIS DOCUMENT IS SUBJECT TO CHANGE WITHOUT NOTICE. IT IS CONFIDENTIAL AND A PROPERTY OF Amphenol LTW. DISCLOSURE TO THIRD PARTY HAS TO BE AUTHORIZED BY Amphenol LTW.