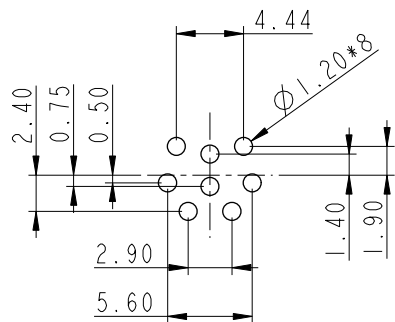


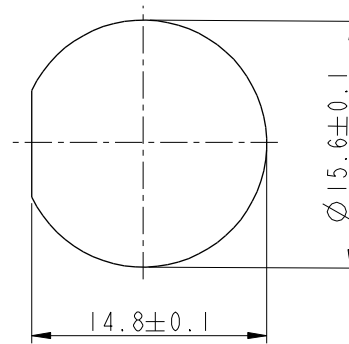
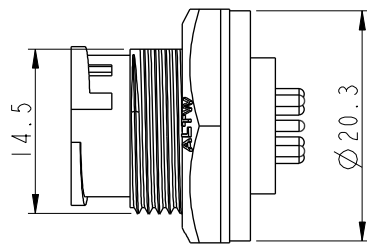
REV.	ECN NO.	DATE	SIGN	DESCRIPTION
D	LEN-8B0339	2008/09/19	Shin	Add Note
E	LEN1730300	2017/03/21	Ruru	Change Logo
F	CI90273	2019/02/25	Ruru	Modify Note

Note:

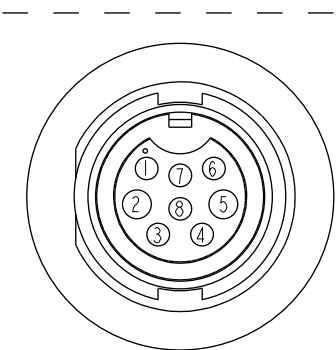
- \* Important Dimension To Check.
- \* Waterproof Rate: IP67, Unmated
- \* Housing: Thermoplastic, Black
- \* Pin: Copper Alloy, Gold Plated
- \* Nut: Thermoplastic, Black
- \* Gasket: Rubber, Black
- \* Liquid Glue: Black
- \* Use With Waterproof Cap Or Dust Cap
- Panel Thickness Max: 3.0mm
- \* Use Without Waterproof Cap Or Dust Cap
- Panel Thickness Max: 4.5mm
- \* Gasket and Nut are packed separately in PE bags.



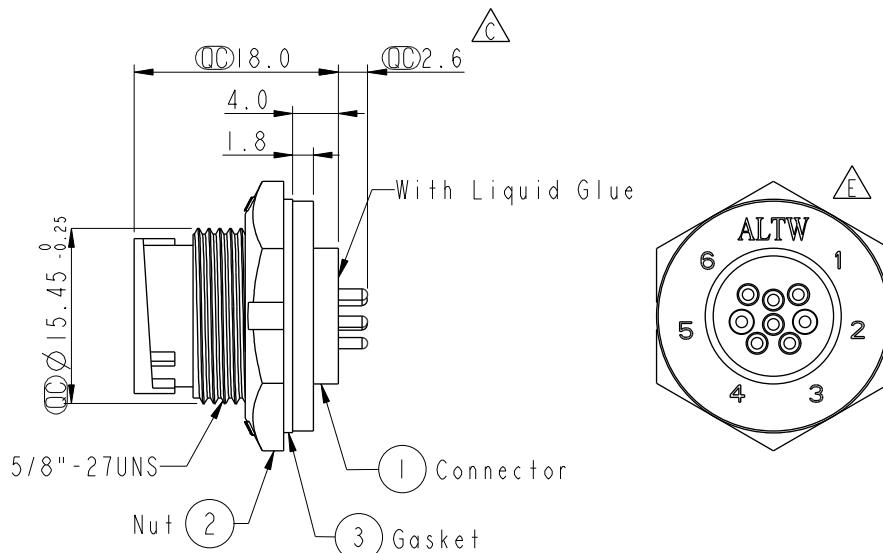
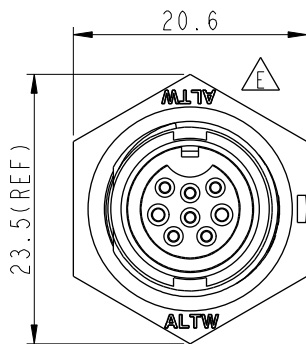
8Pin Male Connector  
Female Pin PCB Layout  
8 Pin 公接頭  
PCB 挖孔位置尺寸圖



Recommended Panel Cut-out



PIN ASSIGNMENTS  
FRONT VIEW 前視圖



UNIT: mm		
TOLERANCE		
.X	±0.25	
.XX	±0.1	
.XXX	±0.05	
ANGLES	±1°	

TITLE Standard, Panel Lock 8Pin M Conn F Pin			
SCALE 1:1	SIZE A4	SHEET 1 OF 1	
REV. F	WC-REV. A.3	: Inspection item	

**Amphenol LTW**  
安費諾亮泰企業股份有限公司

ITEM NO. BDU-08PMFP-LC7001	DRAWN BY Ruru	DATE 2019-02-25
DWG NO. BDU-08PMFP-LC7001	CHECKED BY Rita	DATE 2019-02-25
CUSTOMER ALTW	APPROVED BY Max	DATE 2019-02-25

THIS DOCUMENT IS SUBJECT TO CHANGE WITHOUT NOTICE. IT IS CONFIDENTIAL AND A PROPERTY OF Amphenol LTW. DISCLOSURE TO THIRD PARTY HAS TO BE AUTHORIZED BY Amphenol LTW.