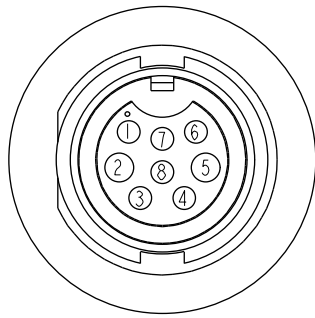
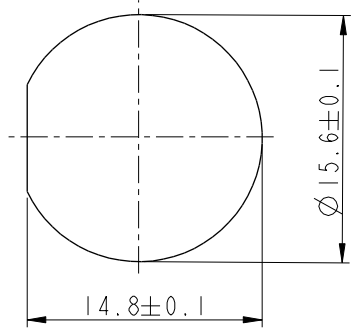
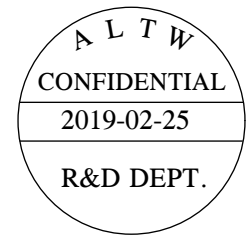
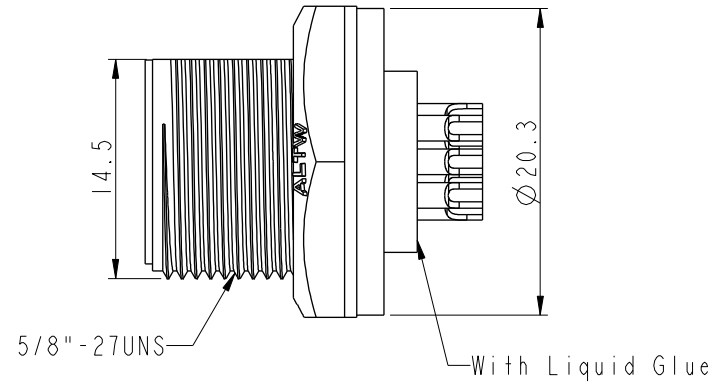


THIS DOCUMENT IS SUBJECT TO CHANGE WITHOUT NOTICE. IT IS CONFIDENTIAL AND A PROPERTY OF AMPHENOL LTW. DISCLOSURE TO THIRD PARTY HAS TO BE AUTHORIZED BY AMPHENOL LTW.

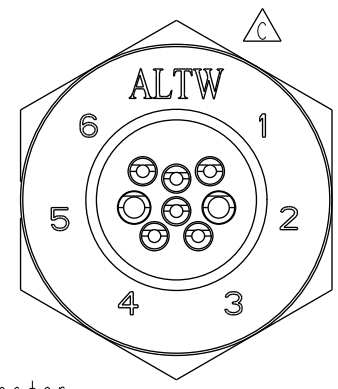
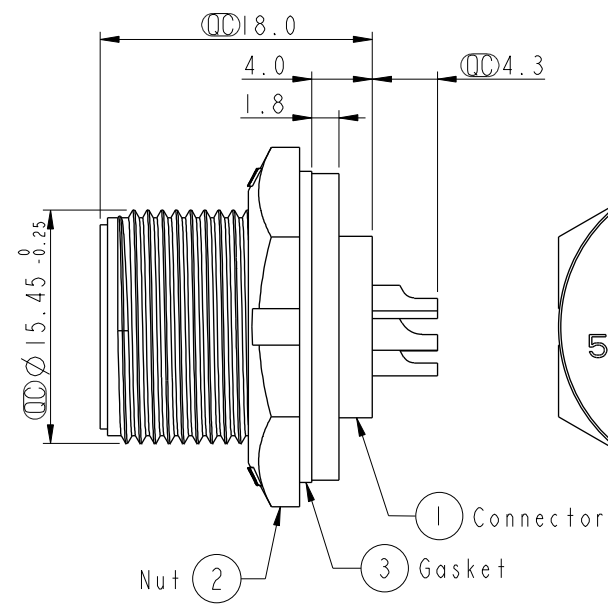
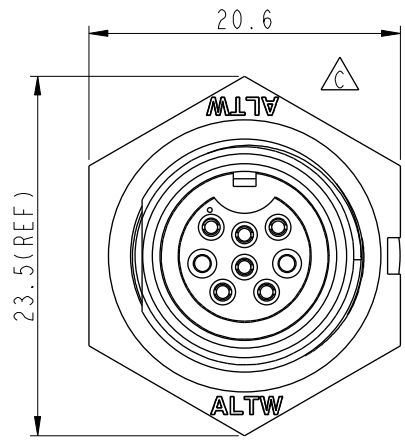
REV.	ECN NO.	DATE	SIGN	DESCRIPTION
B	LEN-8B0464	2008/09/22	Shin	Add Note
C	LEN1730269	2017/03/21	Ruru	Change Logo
D	CI90273	2019/02/25	Ruru	Modify Note



PIN ASSIGNMENTS  
FRONT VIEW前視圖



Recommended Panel Cut-out



- Note:  $\triangle C$   $\triangle D$
- \*  $\text{⌀}$  Important Dimension To Check.
  - \* Waterproof Rate: IP67, Unmated
  - \* Housing: Thermoplastic, Black
  - \* Pin: Copper Alloy, Gold Plated
  - \* Nut: Thermoplastic, Black
  - \* Gasket: Rubber, Black
  - $\triangle B$ \* Use with waterproof cap or dust cap  
For Panel Thickness Max: 3.0mm
  - $\triangle B$ \* Use Without Waterproof Cap Or Dust Cap  
Panel Thickness Max: 4.0mm
  - \* Gasket and Nut are packed separately  
in PE bags.

UNIT: mm		
TOLERANCE	.X ±0.25	
	.XX ±0.1	
	.XXX ±0.05	
ANGLES	±1°	

TITLE Standard, Panel Screw 8Pin M Conn F Pin			
SCALE 1:1	SIZE A4	SHEET 1 OF 1	
REV. D	WC-REV. A.3	$\text{⌀}$ : Inspection item	

**Amphenol LTW**  
安費諾亮泰企業股份有限公司

ITEM NO. BDU-08PMFS-SC7001	DRAWN BY Ruru	DATE 2019-02-25
DWG NO. BDU-08PMFS-SC7001	CHECKED BY Rita	DATE 2019-02-25
CUSTOMER ALTW	APPROVED BY Max	DATE 2019-02-25