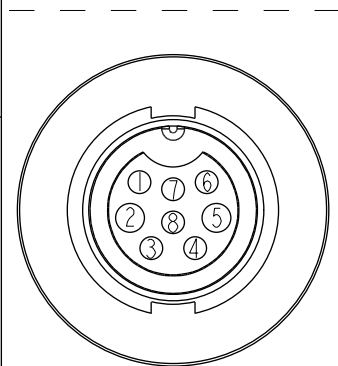
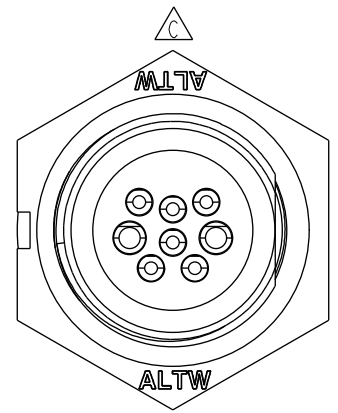
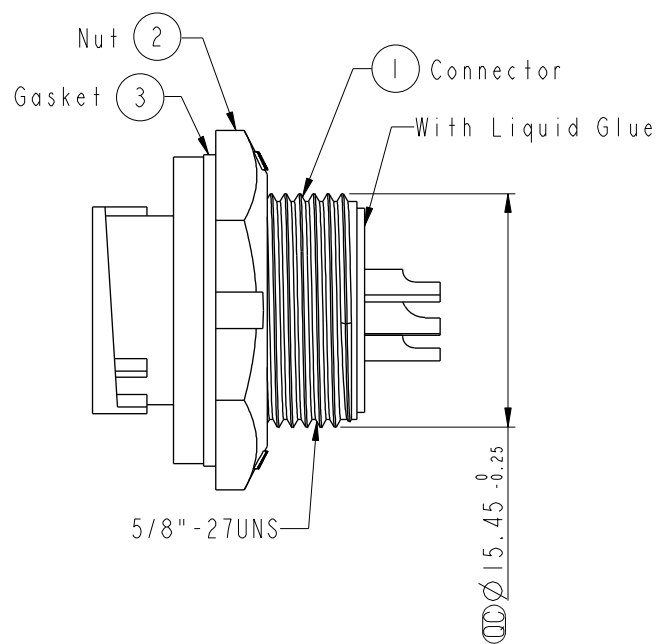
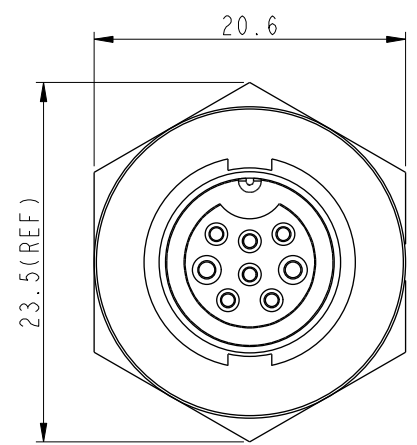
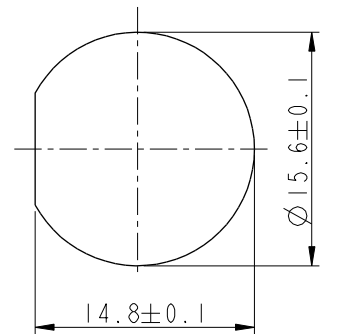


THIS DOCUMENT IS SUBJECT TO CHANGE WITHOUT NOTICE. IT IS CONFIDENTIAL AND A PROPERTY OF Amphenol LTW. DISCLOSURE TO THIRD PARTY HAS TO BE AUTHORIZED BY Amphenol LTW.

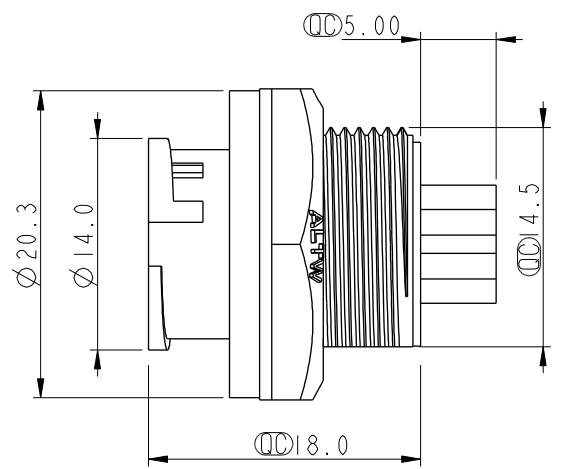
REV.	ECN NO.	DATE	SIGN	DESCRIPTION
B	LEN-8B0583	2008/09/22	Shin	Add Note
C	CI90273	2019/02/25	Ruru	Modify Note & Change Logo



Pin Assignments
Front View



Recommended Panel Cut-Out



Note:

- * Important Dimension To Check.
- * Waterproof Rate: IP67, Unmated
- * Housing: Thermoplastic, Black
- * Pin: Copper Alloy, Gold Plated
- * Nut: Thermoplastic, Black
- * Gasket: Rubber, Black
- * Use with waterproof cap or dust cap
Panel Thickness Max: 4.0mm
- * Use without waterproof cap or dust cap
Panel Thickness Max: 5.0mm
- * Gasket and Nut are packed separately in PE bags.

UNIT:mm		TITLE
TOLERANCE		Standard, Rear Lock 8P M Conn F Pin
.X ±0.25		
.XX ±0.1		
.XXX ±0.05		
ANGLES ±1°		
SCALE	SIZE	SHEET OF
1:1	A4	1 OF 1
REV.	WC-REV.	Inspection item
C	A.3	

Amphenol LTW
安費諾亮泰企業股份有限公司

ITEM NO	BDU-08RMFS-LC7001	DRAWN BY	Ruru	DATE	2019-02-25
DWG NO	BDU-08RMFS-LC7001	CHECKED BY	Rita	DATE	2019-02-25
CUSTOMER	ALTW	APPROVED BY	Max	DATE	2019-02-25