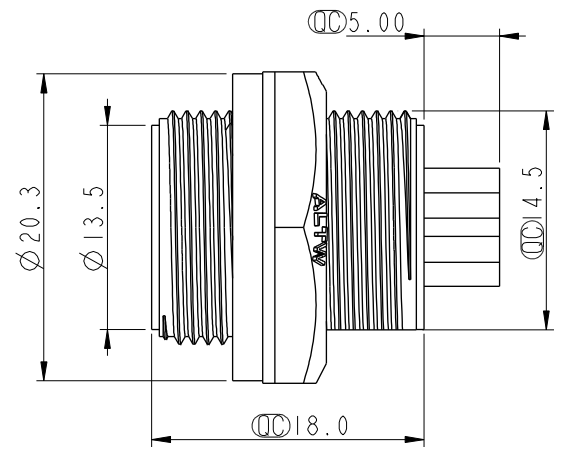
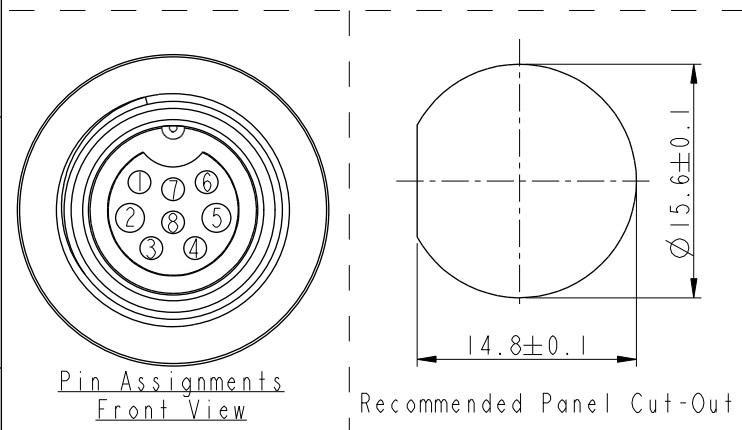
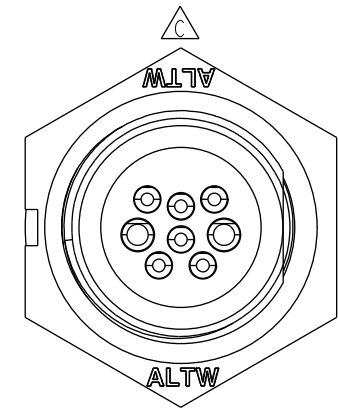
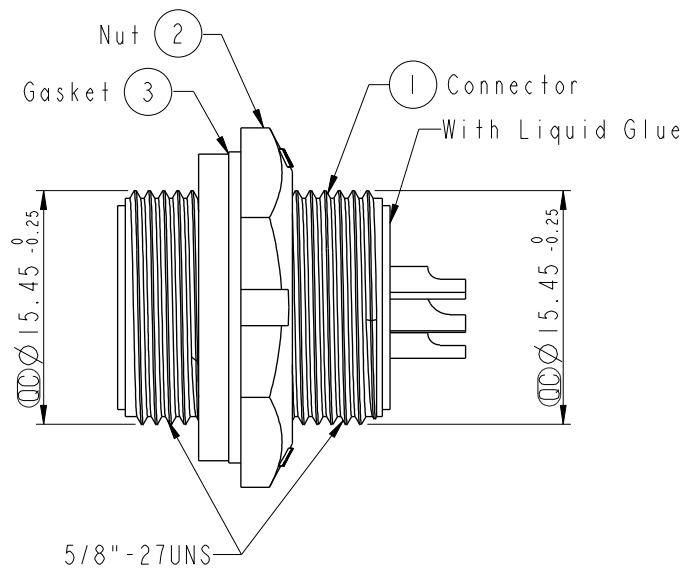
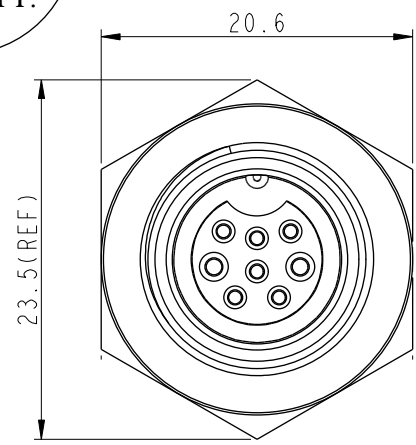


ALTW
CONFIDENTIAL
2019-02-25
R&D DEPT.

REV.	ECN NO.	DATE	SIGN	DESCRIPTION
B	LEN-8B0574	2008/09/22	Shin	Add Note
C	CI90273	2019/02/25	Ruru	Modify Note & Change Logo



- Note: $\triangle C$
- * \varnothing Important Dimension To Check.
 - * Waterproof Rate: IP67, Unmated
 - * Housing: Thermoplastic, Black
 - * Pin: Copper Alloy, Gold Plated
 - * Nut: Thermoplastic, Black
 - * Gasket: Rubber, Black
 - $\triangle B$ * Use with waterproof cap or dust cap
Panel Thickness Max: 4.0mm
 - $\triangle B$ * Use without waterproof cap or dust cap
Panel Thickness Max: 5.0mm
 - * Gasket and Nut are packed separately in PE bags.

UNIT:mm		TITLE		ITEM NO		DRAWN BY		DATE
		Standard, Rear Screw 8P M Conn F Pin		BDU-08RMFS-SC7001		Ruru		2019-02-25
TOLERANCE		SCALE	SIZE	SHEET	OF	CHECKED BY		DATE
.X ±0.25		1:1	A4	1	1	Rita		2019-02-25
.XX ±0.1	REV.	WC-REV.	: Inspection item		CUSTOMER		APPROVED BY	
.XXX ±0.05	C	A.3			ALTW		Max	
ANGLES ±1°							DATE	
							2019-02-25	

Amphenol LTW
安費諾亮泰企業股份有限公司

THIS DOCUMENT IS SUBJECT TO CHANGE WITHOUT NOTICE. IT IS CONFIDENTIAL AND A PROPERTY OF AMPHENOL LTW. DISCLOSURE TO THIRD PARTY HAS TO BE AUTHORIZED BY AMPHENOL LTW.