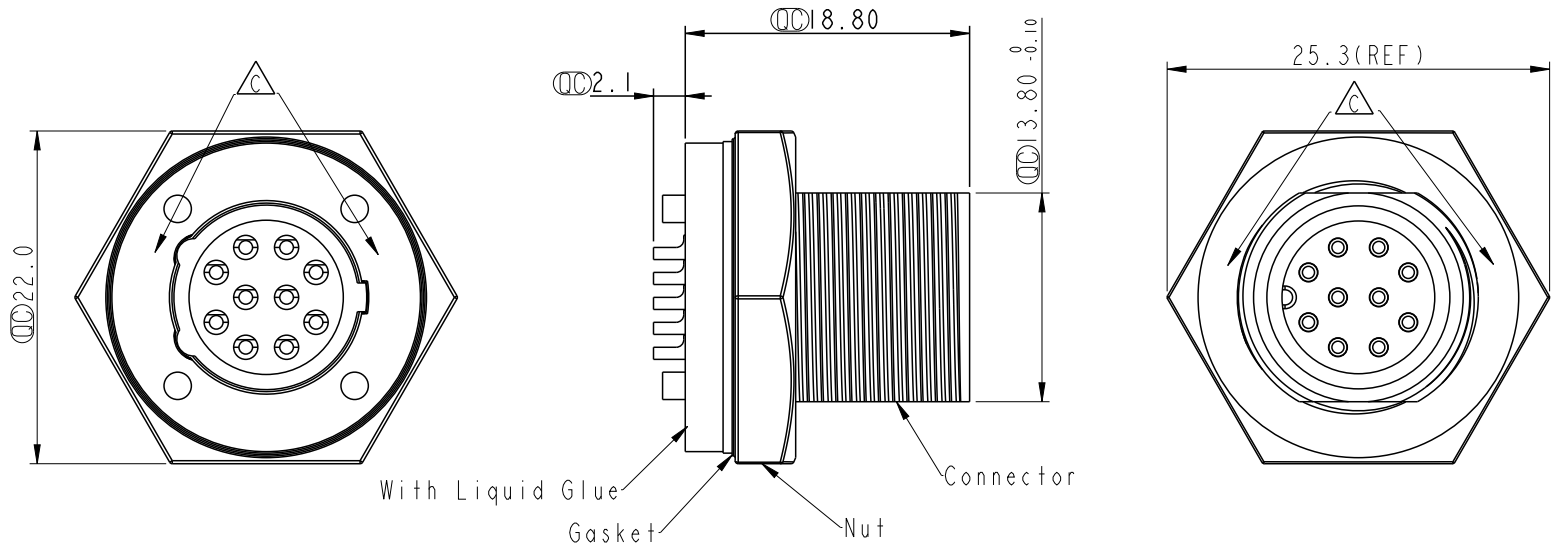
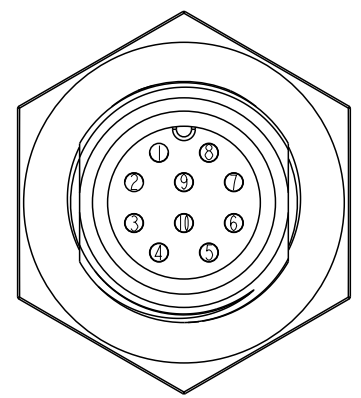


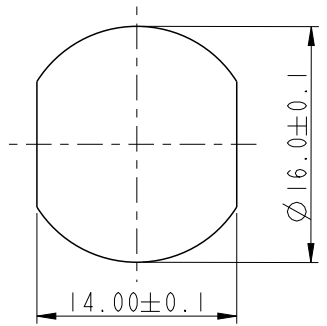
REV.	ECN NO.	DATE	SIGN	DESCRIPTION
B	C190269	2019/03/06	Ruru	Modify Note
C	C210680	2021/05/10	Leon	$\triangle C$ *2



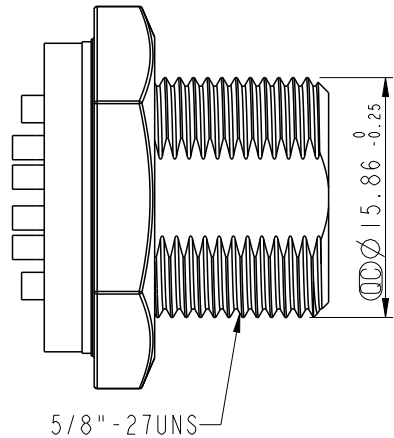
With Liquid Glue  
Gasket  
Nut  
Connector



Pin Assignments  
Front View



Recommended Panel Cut-Out



5/8"-27UNS

- Note:  $\triangle B$
- \*  $\text{⌀}$  Important Dimension.
  - \* Waterproof Rate: IP67, Unmated
  - \* Housing: Thermoplastic, Black
  - \* Pin: Copper Alloy, Gold Plated
  - \* Nut: Metal, Nickel Plated
  - \* Gasket: Rubber, Black
  - \* For Panel Thickness Max Of 5.0mm
  - \* Gasket and Nut are packed separately in PE bags.

A	UNIT:mm			TITLE	Standard Panel Screw 10Pin M Conn M Pin		ITEM NO	BSU-10PMMS-SC7001	DRAWN BY	Ruru	DATE	2019-03-06		
	TOLERANCE	.X ±0.25	.XX ±0.1	SCALE	2:1	SIZE	A4	DWG NO	BSU-10PMMS-SC7001	CHECKED BY	Rita	DATE	2019-03-06	
	.XXX ±0.05	ANGLES ±1°	REV.	C	WC-REV.	A.2	SHEET	1	CUSTOMER	ALTW	APPROVED BY	Max	DATE	2019-03-06
				<b>Amphenol LTW</b> 安費諾亮泰企業股份有限公司									8	WI0814-03-01A2

THIS DOCUMENT IS SUBJECT TO CHANGE WITHOUT NOTICE. IT IS CONFIDENTIAL AND A PROPERTY OF Amphenol LTW. DISCLOSURE TO THIRD PARTY HAS TO BE AUTHORIZED BY Amphenol LTW.