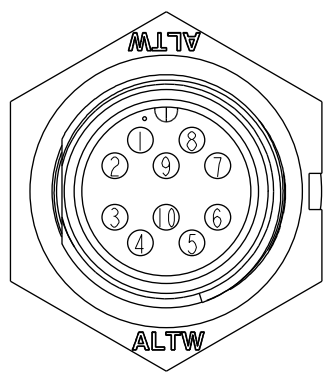
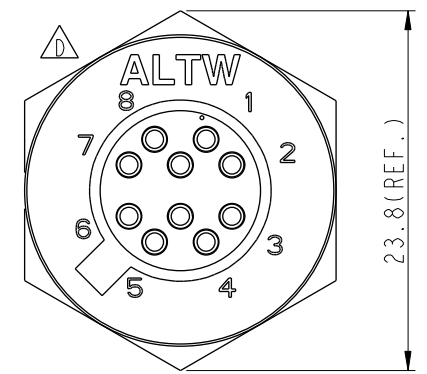
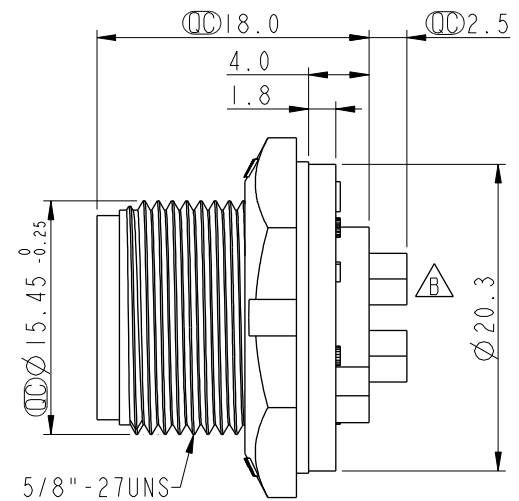
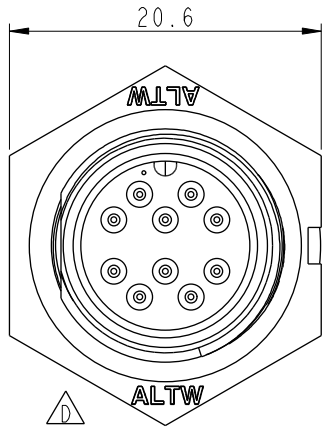


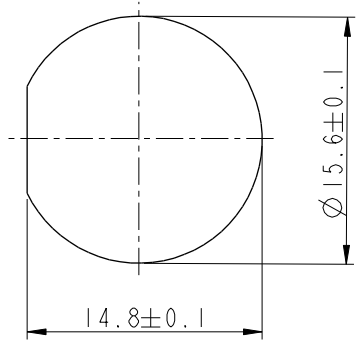
THIS DOCUMENT IS SUBJECT TO CHANGE WITHOUT NOTICE. IT IS CONFIDENTIAL AND A PROPERTY OF AMPHENOL LTW. DISCLOSURE TO THIRD PARTY HAS TO BE AUTHORIZED BY AMPHENOL LTW.

REV.	ECN NO.	DATE	SIGN	DESCRIPTION
C	LEN-8B0535	2008/09/22	Shin	Add Note
D	LEN1590289	2015/09/02	Vicky	Update Logo
E	CI90269	2019/02/26	Ruru	Modify Note

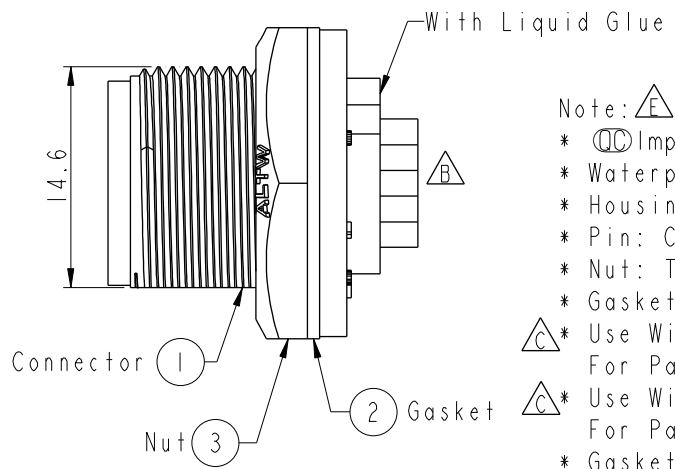
**ALTW**  
 CONFIDENTIAL  
 2019-02-26  
 R&D DEPT.



Pin Assignments  
Front View



Recommended Panel Cut-out



- Note: E
- \* ∅ Important Dimension To Check.
  - \* Waterproof Rate: IP67, Unmated
  - \* Housing: Thermoplastic, Black
  - \* Pin: Copper Alloy, Gold Plated
  - \* Nut: Thermoplastic, Black
  - \* Gasket: Rubber, Black
  - C \* Use With Waterproof Cap Or Dust Cap For Panel Thickness Max: 3.0mm
  - C \* Use Without Waterproof Cap Or Dust Cap For Panel Thickness Max: 4.0mm
  - \* Gasket and Nut are packed separately in PE bags.

UNIT:mm	
TOLERANCE	
.X	±0.25
.XX	±0.1
.XXX	±0.05
ANGLES	±1°

TITLE Standard Panel Lock 10Pin M Conn. M Pin			
SCALE 2:1	SIZE A4	SHEET 1 OF 1	
REV. E	WC-REV. A.3	<span style="border: 1px solid black; border-radius: 50%; padding: 0 2px;">∅</span> : Inspection item	

**Amphenol LTW**  
 安費諾亮泰企業股份有限公司

ITEM NO BU-10PMMS-SC7001	DRAWN BY Ruru	DATE 2019-02-26
DWG NO BU-10PMMS-SC7001	CHECKED BY Rita	DATE 2019-02-26
CUSTOMER ALTW	APPROVED BY Max	DATE 2019-02-26