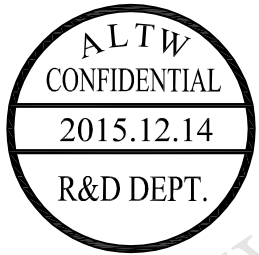
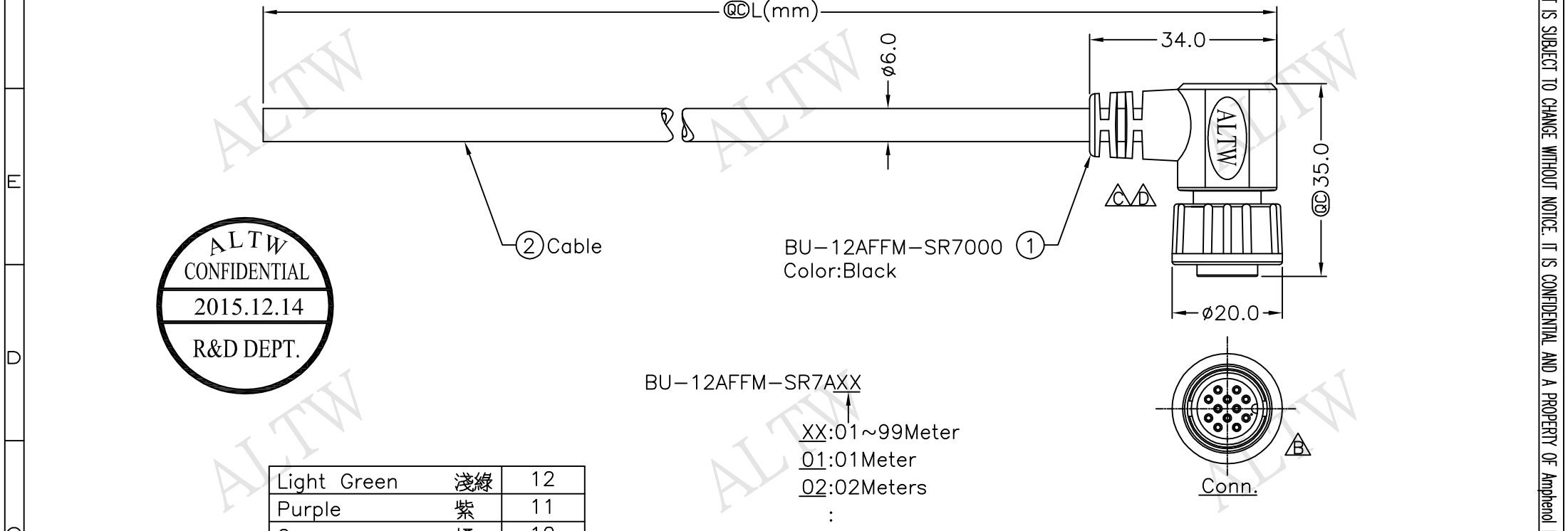
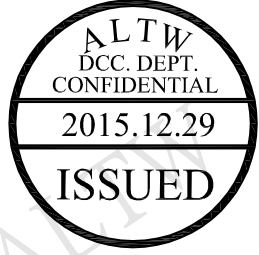
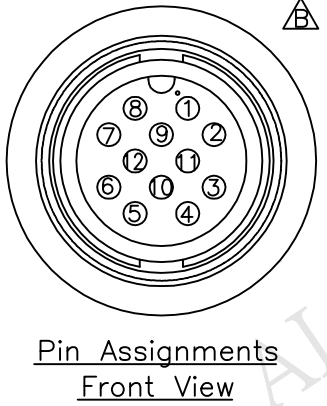


REV.	ECN NO.	DATE	SIGN	DESCRIPTION
B	LEN-0C0663~668	2010/11/26	Ivan	Change View.
C	LEN1140008~013	2011/03/28	Jiang Jun Hua	Change SR View.
D	LEN15C0436~442	2015/12/14	Ruru	Change Logo

1 2 3 4 5 6 7 8



Light Green	淺綠	12
Purple	紫	11
Orange	橘	10
Black	黑	9
Red	紅	8
Pink	粉紅	7
Gray	灰	6
Yellow	黃	5
Green	綠	4
White	白	3
Blue	藍	2
Brown	棕	1
Wire Color		Conn.



Note:

- \* @C Important Dimension.
- \* Waterproof Rate: IP67.
- \* Housing: Nylon+GF, Black.
- \* Female Pin: Copper Alloy, Gold Plated.
- \* Cable:UL2464 26AWG\*12C+Drain+Al/My, PVC Jacket, UV Resistant, OD=6.0mm, Black

△\* Cable Length Tolerance: 01M:±40mm  
02M~05M:±60mm  
06M~10M:±100mm  
11M~30M:±200mm  
31M~99M:±500mm

UNIT:mm		TITLE	Standard	ITEM NO	DRAWN BY	Ruru	DATE	2015/12/14
TOLERANCE	±0.5 mm		Cable Screw 12Pin F Conn. F Pin	DWG NO	CHECKED BY	Rita	DATE	2015/12/14
		SCALE	Free		APPROVED BY	Lisa	DATE	2015/12/14
		SHEET	1 OF 1	CUSTOMER				
		REV.	D					
		SIZE	A4					
			@C :Inspection Item					

**Amphenol LTW**  
安費諾亮泰企業股份有限公司

THIS DOCUMENT IS SUBJECT TO CHANGE WITHOUT NOTICE. IT IS CONFIDENTIAL AND A PROPERTY OF Amphenol LTW. DISCLOSURE TO THIRD PARTY HAS TO BE AUTHORIZED BY Amphenol LTW.