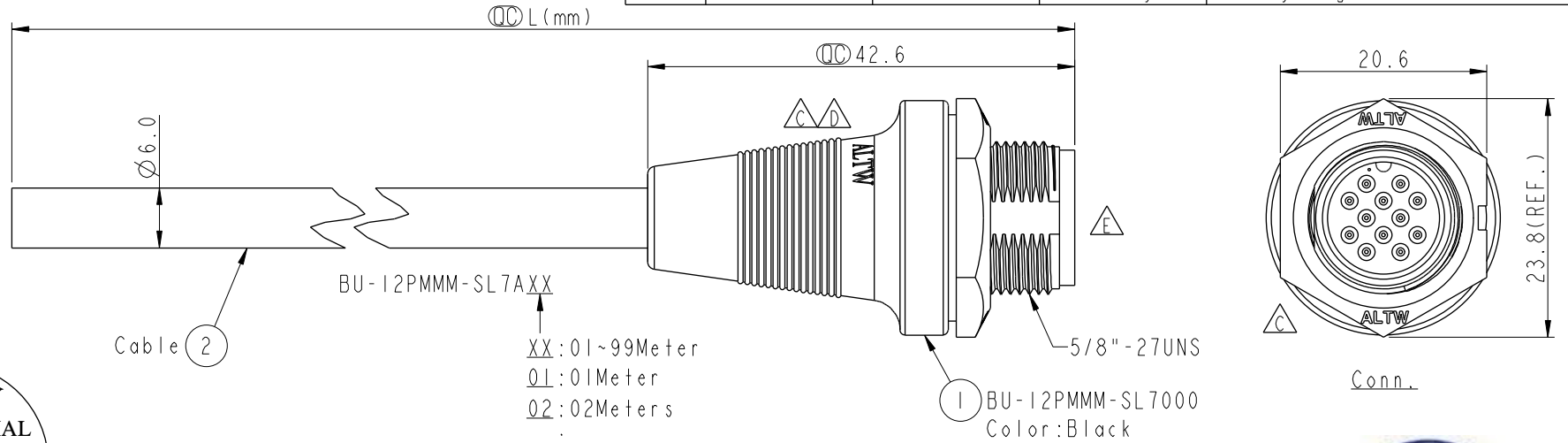


THIS DOCUMENT IS SUBJECT TO CHANGE WITHOUT NOTICE. IT IS CONFIDENTIAL AND A PROPERTY OF Amphenol LTW. DISCLOSURE TO THIRD PARTY HAS TO BE AUTHORIZED BY Amphenol LTW.

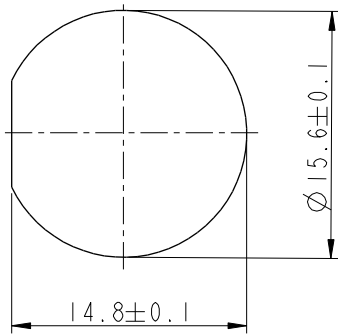
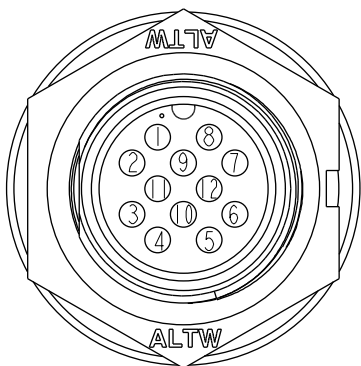
REV.	ECN NO.	DATE	SIGN	DESCRIPTION
C	LEN1590299-303	2015/09/07	Vicky	Update Logo & Note
D	LEN1640094-098	2016/04/08	Vicky	Modify Logo Position
E	LEN1750054-058	2017/05/04	Vicky	Modify Logo Position



ALTW
 CONFIDENTIAL
 2017-05-04
 R&D DEPT.

XX: 01~99Meters
 01: 01Meter
 02: 02Meters
 ...
 99: 99Meters
 Cable Length(L): 01~99Meters

ALTW
 DCC. DEPT.
 CONFIDENTIAL
 2017.05.09
 ISSUED



12	Light Green	淺綠
11	Purple	紫
10	Orange	橙
9	Black	黑
8	Red	紅
7	Pink	粉紅
6	Gray	灰
5	Yellow	黃
4	Green	綠
3	White	白
2	Blue	藍
1	Brown	棕
Conn.	Wire Color	
	Pin Out	

Note:

- * CC Important Dimensions To Check
- * Waterproof Rate: IP67
- * Housing: Nylon+GF, Black
- * Male Pin: Copper Alloy, Gold Plated
- * Cable: UL2464 26#*12C+D+Al/My,UV, PVC Jacket, Black, OD=6.0mm

A * Use with waterproof cap or dust cap
 Panel Thickness Max: 2.5mm
 B * Use without waterproof cap or dust cap
 Panel Thickness Max: 3.5mm
 C * Cable Length Tolerance: 1M:±40mm
 2M~5M:±60mm
 6M~10M:±100mm
 11M~30M:±200mm
 31M~99M:±500mm

UNIT:mm TOLERANCE ± 0.5 mm	TITLE Standard Cable Screw 12Pin M Conn M Pin			Amphenol LTW 安費諾亮泰企業股份有限公司	ITEM NO BU-12PMMM-SL7AXX	DRAWN BY Vicky	DATE 2017-05-04
	SCALE 3:2	SIZE A4	SHEET 1 OF 1		DWG NO BU-12PMMM-SL7AXX	CHECKED BY Rita	DATE 2017-05-04
	REV. E	WC-REV. A.2	CC : Inspection item		CUSTOMER ALTW	APPROVED BY Max	DATE 2017-05-04