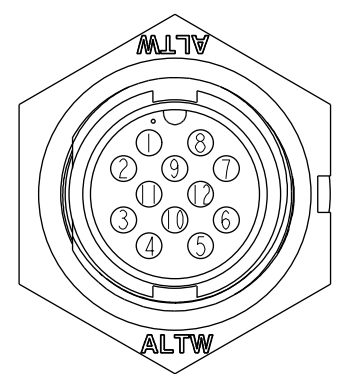
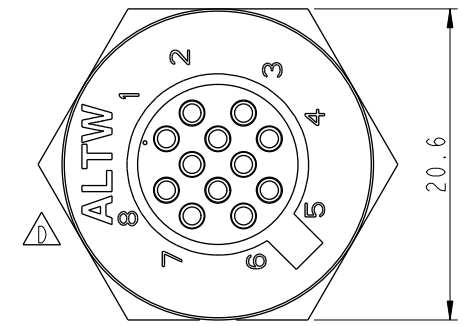
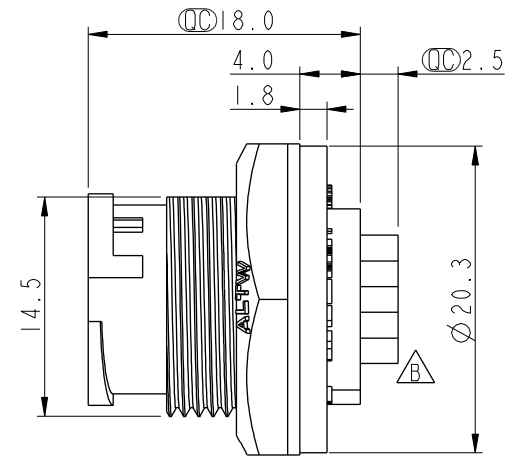
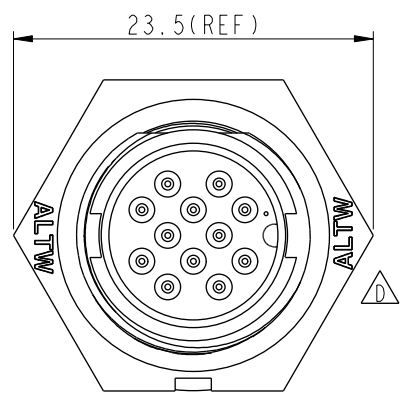


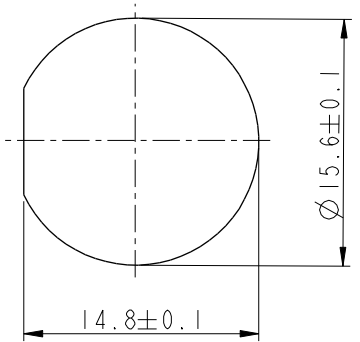
THIS DOCUMENT IS SUBJECT TO CHANGE WITHOUT NOTICE. IT IS CONFIDENTIAL AND A PROPERTY OF AMPHENOL LTW. DISCLOSURE TO THIRD PARTY HAS TO BE AUTHORIZED BY AMPHENOL LTW.

REV.	ECN NO.	DATE	SIGN	DESCRIPTION
C	LEN-8B0416	2008/09/22	Shin	Add Note
D	LEN1530287	2014/12/18	Ruru	Change Logo
E	CI90269	2019/02/26	Ruru	Modify Note

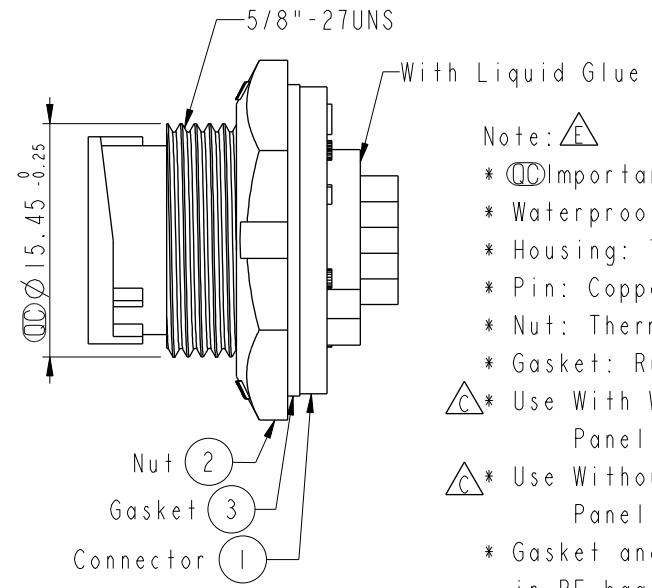
**ALTW**  
 CONFIDENTIAL  
 2019-02-26  
 R&D DEPT.



Pin Assignments  
Front View



Recommended Panel Cut-out



Note:  $\triangle$ E

- \*  $\text{⌀}$  Important Dimension To Check.
- \* Waterproof Rate: IP67, Unmated
- \* Housing: Thermoplastic, Black
- \* Pin: Copper Alloy, Gold Plated
- \* Nut: Thermoplastic, Black
- \* Gasket: Rubber, Black
- $\triangle$ C \* Use With Waterproof Cap Or Dust Cap  
Panel Thickness Max: 3.0mm
- $\triangle$ C \* Use Without Waterproof Cap Or Dust Cap  
Panel Thickness Max: 4.5mm
- \* Gasket and Nut are packed separately in PE bags.

UNIT:mm TOLERANCE .X ±0.25 .XX ±0.1 .XXX ±0.05 ANGLES ±1°	TITLE Standard Panel Lock 12Pin M Conn. M Pin		<b>Amphenol LTW</b> 安費諾亮泰企業股份有限公司		ITEM NO BU-12PMMS-LC7001	DRAWN BY Ruru	DATE 2019-02-26
	SCALE 2:1	SIZE A4			SHEET 1 OF 1	DWG NO BU-12PMMS-LC7001	CHECKED BY Rita
	REV. E	WC-REV. A.3	$\text{⌀}$ : Inspection item	CUSTOMER ALTW	APPROVED BY Max	DATE 2019-02-26	