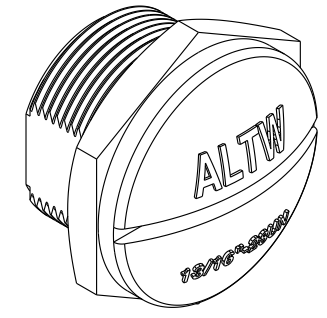
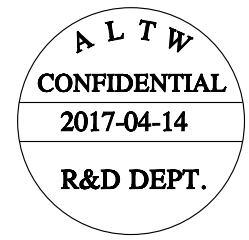
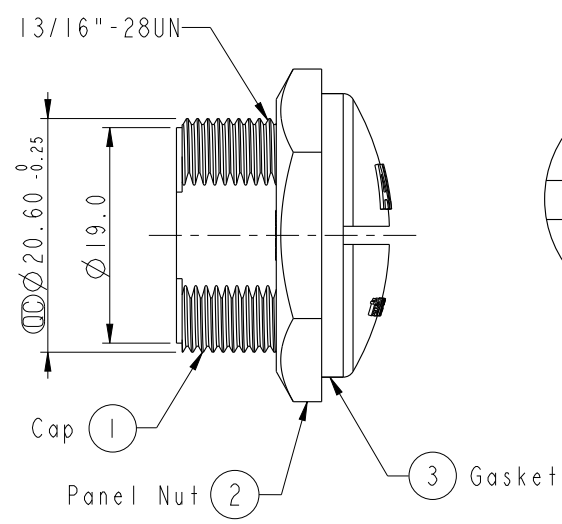
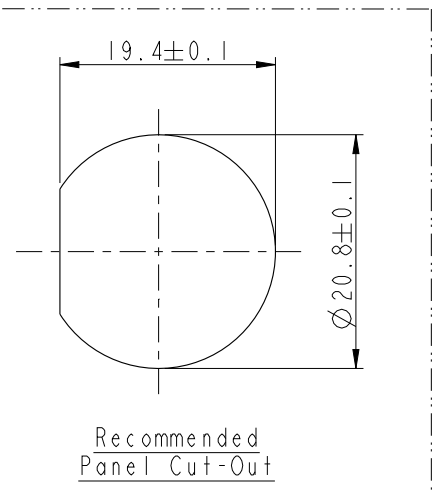
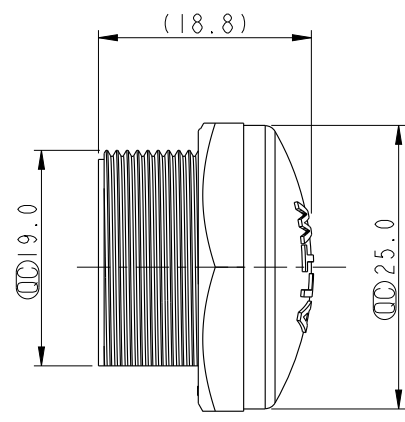
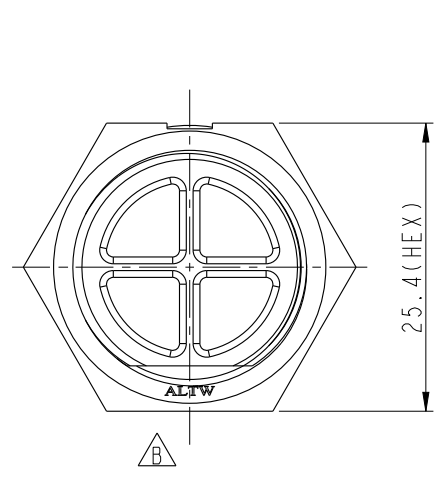


THIS DOCUMENT IS SUBJECT TO CHANGE WITHOUT NOTICE. IT IS CONFIDENTIAL AND A PROPERTY OF LTW. DISCLOSURE TO THIRD PARTY HAS TO BE AUTHORIZED BY LTW.

REV.	ECN NO.	DATE	SIGN	DESCRIPTION
A	Initial Release	2013/07/08	Vicky	Old Item No. CAP-CACPFSAI
B	LEN1740202	2017/03/30	Ruru	Change Logo
C	LEN1741201	2017/04/14	Lingpeng	Change Mark



- Note:
- \*  $\varnothing$  Important Dimensions To Check.
  - \* Waterproof Rate: IP67.
  - \* Base: Nylon+GF, UV Resistant, Black.
  - \* Gasket: EPDM70, Black.
  - \* Panel Nut: Nylon+GF, Black.
  - \* Maximum Panel Thickness: 8.0mm

<b>UNIT:mm</b> <b>TOLERANCE</b> $\pm 0.5$ mm	TITLE Panel Cover For Middle Size 13/16"-28UN		<h1>Amphenol LTW</h1> <p>安費諾亮泰企業股份有限公司</p>		ITEM NO	DRAWN BY	DATE
	SCALE	SIZE			SHEET	OF	CAP-CACFSBAI
	REV.	WC-REV.	$\varnothing$ : Inspection item		DWG NO	CHECKED BY	DATE
C	A.3			CAP-CACFSBAI	Ma Fei	2017-04-14	
				CUSTOMER	APPROVED BY	DATE	
				ALTW	Jerry	2017-04-14	