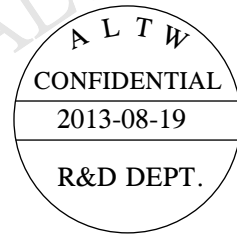
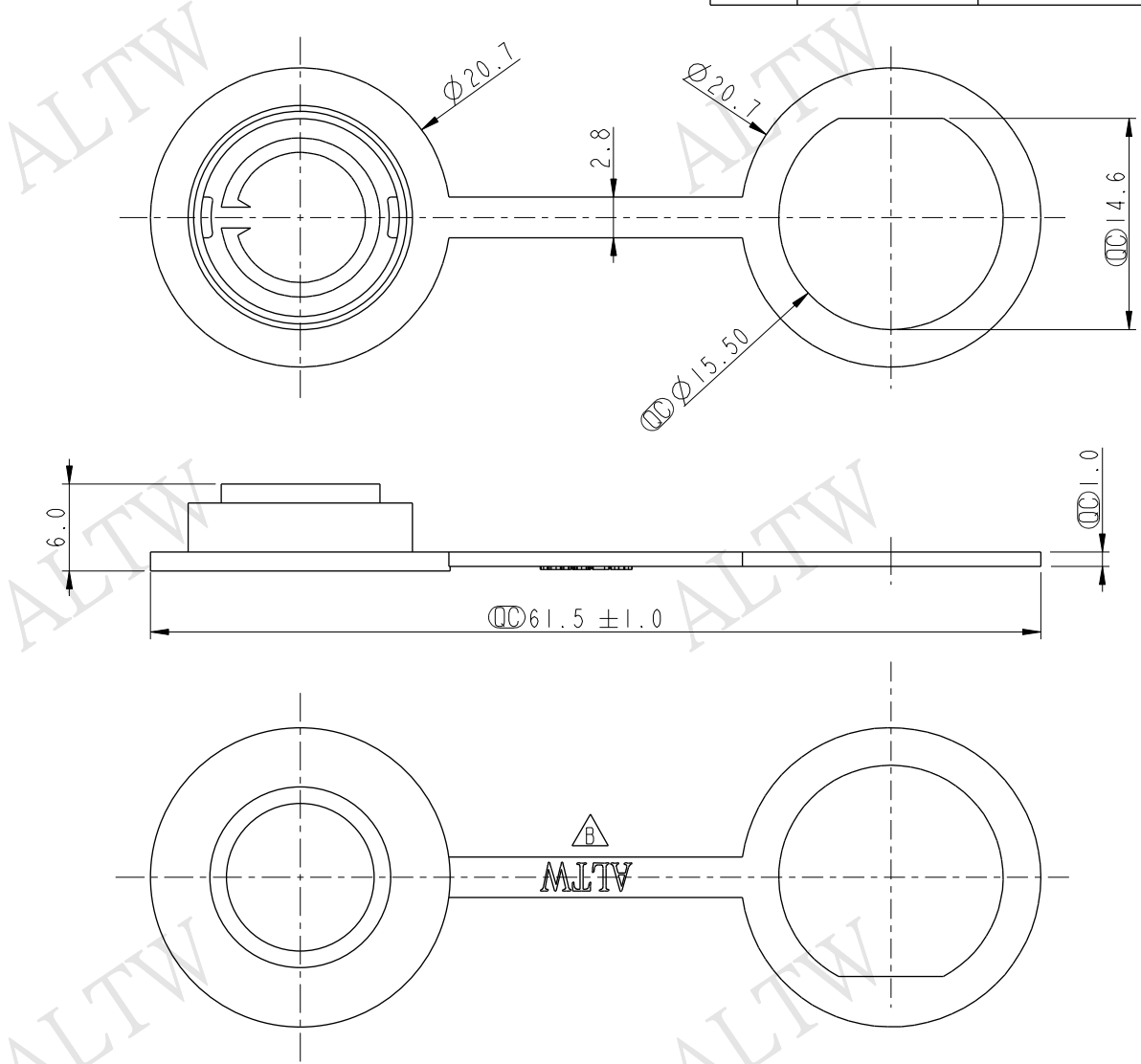


THIS DOCUMENT IS SUBJECT TO CHANGE WITHOUT NOTICE. IT IS CONFIDENTIAL AND A PROPERTY OF LTW. DISCLOSURE TO THIRD PARTY HAS TO BE AUTHORIZED BY LTW.

REV.	ECN NO.	DATE	SIGN	DESCRIPTION
A	Initial Release	2013/08/19	Vicky	Old Item No. CAP-DABPMXC2
B	LE31510351	2014/12/30	Ruru	Change Logo



- Note:
- * \varnothing Important Dimension To Check
 - * Material: Plastic Rubber
 - * Color: Black
 - * Mold No.: LTW-TM123-C
 - * Text Depth: 0.2mm

A	UNIT:mm		TITLE Dust Cap Male Conn4~8Pin For Cable		Amphenol LTW		ITEM NO CAP-DABMDPC2	DRAWN BY Ruru	DATE 2014-12-30
	TOLERANCE ±0.5 mm		SCALE 2:1	SIZE A4	SHEET 1	OF 1	DWG NO CAP-DABMDPC2	CHECKED BY Rita	DATE 2014-12-30
			REV. B	WC-REV. A.1	\varnothing : Inspection item		CUSTOMER ALTW	APPROVED BY Win	DATE 2014-12-30

安費諾亮泰企業股份有限公司