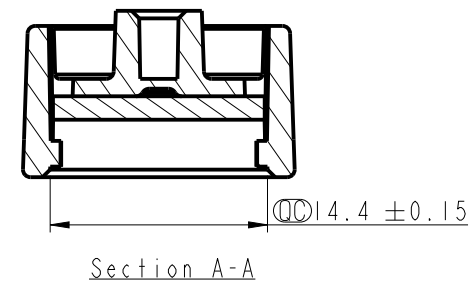
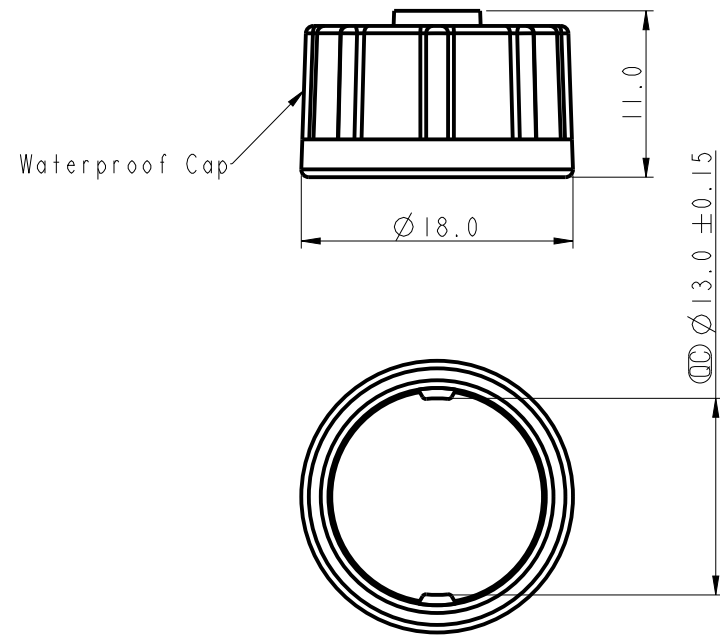
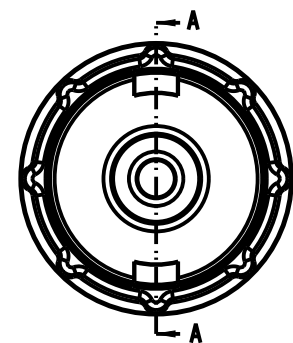


THIS DOCUMENT IS SUBJECT TO CHANGE WITHOUT NOTICE. IT IS CONFIDENTIAL AND A PROPERTY OF AMPHENOL LTW. DISCLOSURE TO THIRD PARTY HAS TO BE AUTHORIZED BY AMPHENOL LTW.

REV.	ECN NO.	DATE	SIGN	DESCRIPTION
A		2019/01/18	Wesley Lin	Initial Release

**ALTW**  
**CONFIDENTIAL**  
**2019.01.18**  
**R&D DEPT.**



- Note:
- \* Ⓞ Important Dimension.
  - \* Waterproof Rate: IP67
  - \* Cap: Nylon+GF, Black
  - \* Gasket: EPDM, Black

UNIT: mm		
TOLERANCE		
.X	±0.25	
.XX	±0.1	
.XXX	±0.05	
ANGLES	±1°	

TITLE Waterproof Cap For Male Conn B Size Lock Type		
SCALE 2:1	SIZE A4	SHEET 1 OF 1
REV. A	WC-REV. A.1	Ⓞ: Inspection item

**Amphenol LTW**  
**安費諾亮泰企業股份有限公司**

ITEM NO. CAP-WABMLPAI	DRAWN BY Wesley Lin	DATE 2019/01/18
DWG NO. CAP-WABMLPAI	CHECKED BY Aric Ko	DATE 2019/01/18
CUSTOMER ALTW	APPROVED BY Max Yang	DATE 2019/01/18