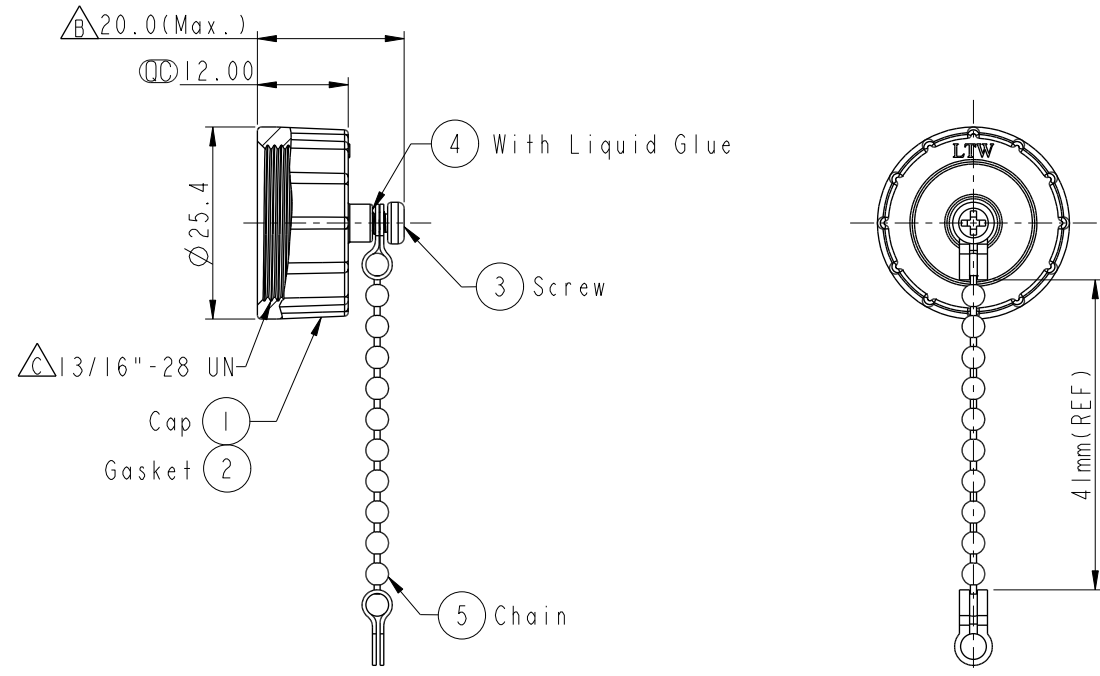


THIS DOCUMENT IS SUBJECT TO CHANGE WITHOUT NOTICE. IT IS CONFIDENTIAL AND A PROPERTY OF Amphenol LTW. DISCLOSURE TO THIRD PARTY HAS TO BE AUTHORIZED BY Amphenol LTW.

REV.	ECN NO.	DATE	SIGN	DESCRIPTION
A	Initial Release	2013/09/10	Vicky	Old Item No. CAP-WACPM5B2
B	C202032	2020/12/23	Ruru	$\triangle B$ X4
C	C240727	2024/07/01	Ruru	$\triangle C$ XI



Note:

- * CC Important Dimension.
- * Waterproof Rate: IP67
- $\triangle B$ * Cap: Metal
- $\triangle B$ * Gasket: Rubber, Black
- * Screw: Stainless Steel
- * Chain: Copper Alloy, Nickel Plated
- * Screw is not allowed to tight (Chain be revolve)

不可將螺絲鎖緊，(鏈條要可旋轉)

UNIT: mm		
TOLERANCE	.X	± 0.25
	.XX	± 0.1
	.XXX	± 0.05
ANGLES		$\pm 1^\circ$

TITLE ACC, CERES, WP CAP SCREW, W/ME CHAIN $\triangle B$			
SCALE 1:1	SIZE A4	SHEET 1 OF 1	
REV. C	WC-REV. A.1	CC : Inspection item	

Amphenol LTW
安費諾亮泰企業股份有限公司

ITEM NO. CAP-WACMSPB2	DRAWN BY Ruru	DATE 2024-07-01
DWG NO. CAP-WACMSPB2	CHECKED BY Rita	DATE 2024-07-01
CUSTOMER ALTW	APPROVED BY Fred	DATE 2024-07-01