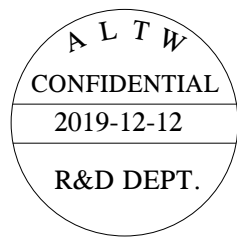
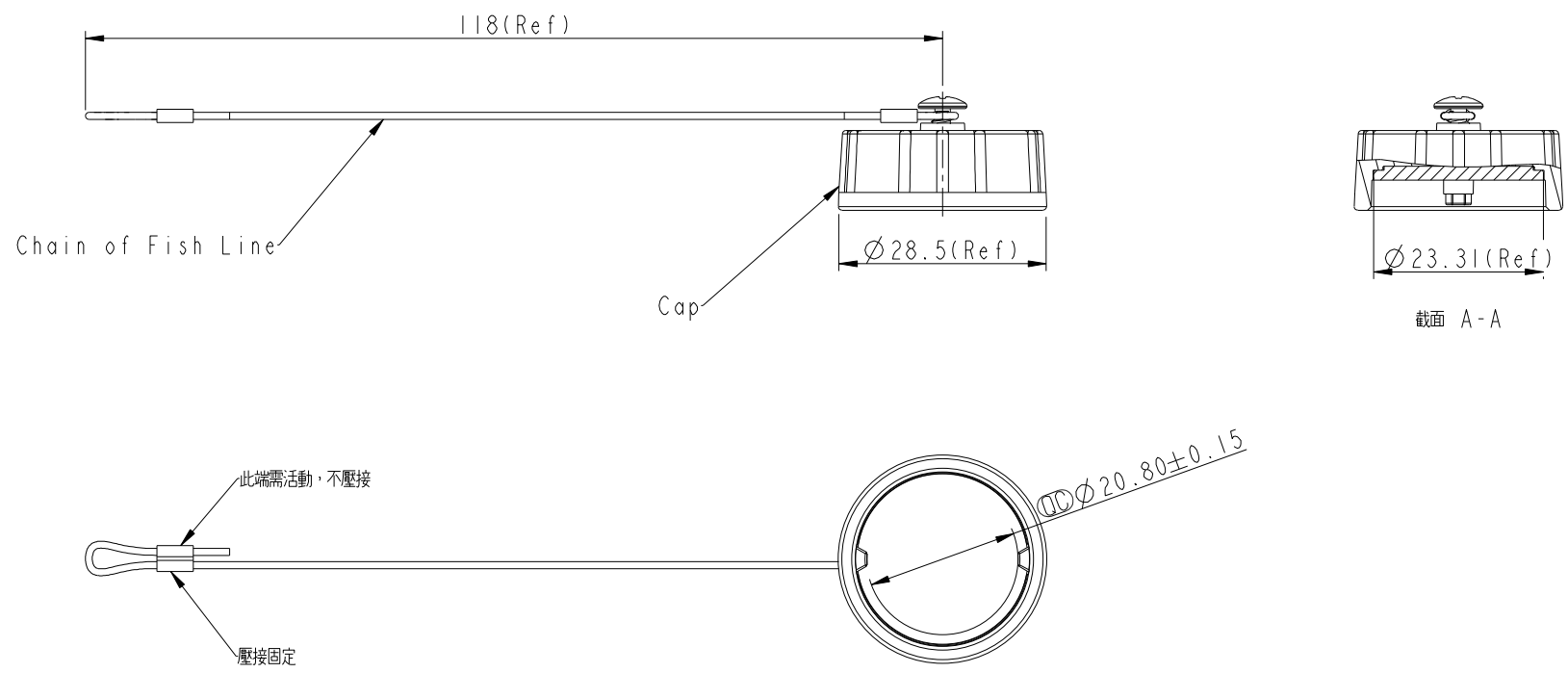


THIS DOCUMENT IS SUBJECT TO CHANGE WITHOUT NOTICE. IT IS CONFIDENTIAL AND A PROPERTY OF Amphenol LTW. DISCLOSURE TO THIRD PARTY HAS TO BE AUTHORIZED BY Amphenol LTW.

REV.	ECN NO.	DATE	SIGN	DESCRIPTION
A		2019/12/12	NianPing Yu	Rev. 01 to Rev. A



Note:  
 \*  $\text{CC}$  Important Dimension To Check.  
 \* Waterproof Rate: IP67.  
 \* Cap: Thermoplastic, Black  
 \* Gasket: Rubber, Black.  
 \* Fish Line: Thermoplastic  
 Part of Fish Line: Stainless

A	UNIT: mm			TITLE Waterproof Cap For Male Conn. D Size Lock Type (Use in Circular)			<b>Amphenol LTW</b>		ITEM NO CAP-WADMLPDI	DRAWN BY NianPing Yu	DATE 2019-12-12
	TOLERANCE .X ±0.25 .XX ±0.1 .XXX ±0.05 ANGLES ±1°	SCALE 1:1	SIZE A4	SHEET 1	OF 1	<b>安費諾亮泰企業股份有限公司</b>		DWG NO CAP-WADMLPDI	CHECKED BY Fisher Wang	DATE 2019-12-12	
	REV. A	WC-REV. A.1	$\text{CC}$ : Inspection item		CUSTOMER ALTW	APPROVED BY Max Yang	DATE 2019-12-12				