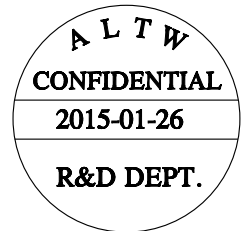
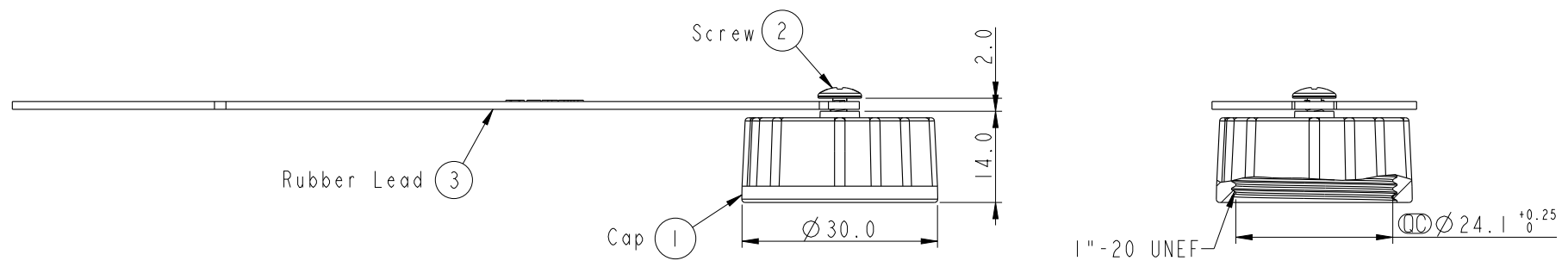
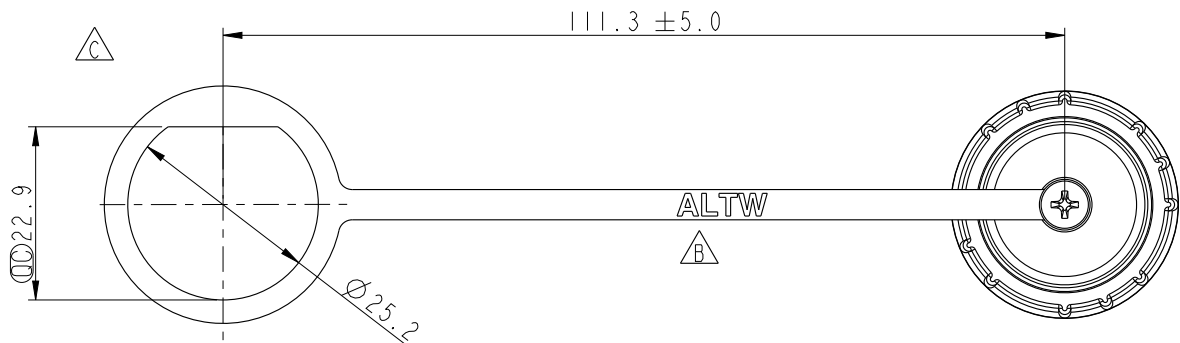


REV.	ECN NO.	DATE	SIGN	DESCRIPTION
B	LENI490226	2014/08/26	Feng_Li	Change Logo and Note
C	LE31510473	2015/01/26	Mafei	Change The Chain Material From PVC To TPES.



- Note:
- * Ⓞ Important Dimension To Check.
 - * Waterproof Rate: IP67.
 - * Cap: Nylon+GF, Black, UV Resistance.
 - * Gasket: EPDM, Black.
 - * Rubber Lead: TPES, Black.
 - * Screw is not allowed to tight (Chain be revolve)
- 不可將螺絲鎖緊 (Rubber Lead 要可旋轉)

UNIT: mm		
TOLERANCE	±0.25	
.X	±0.1	
.XX	±0.05	
.XXX	±0.05	
ANGLES	±1°	

TITLE Waterproof Cap For Male Conn. D Size Screw Type			
SCALE 1:1	SIZE A4	SHEET 1 OF 1	
REV. C	WC-REV. A.3	Ⓞ: Inspection item	

Amphenol LTW
安費諾亮泰企業股份有限公司

ITEM NO CAP-WADMSPCI	DRAWN BY Mafei	DATE 2015-01-26
DWG NO CAP-WADMSPCI	CHECKED BY Lu Di	DATE 2015-01-26
CUSTOMER ALTW	APPROVED BY Jerry	DATE 2015-01-26

THIS DOCUMENT IS SUBJECT TO CHANGE WITHOUT NOTICE. IT IS CONFIDENTIAL AND A PROPERTY OF AMPHENOL LTW. DISCLOSURE TO THIRD PARTY HAS TO BE AUTHORIZED BY AMPHENOL LTW.