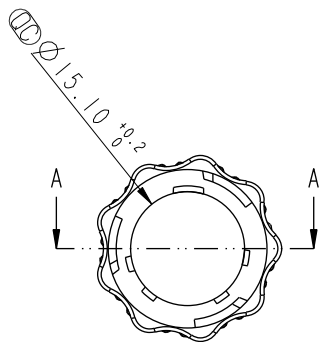
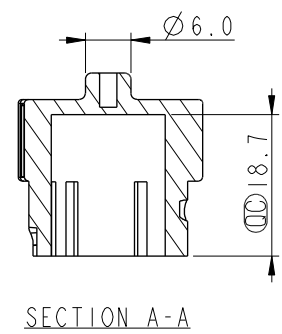
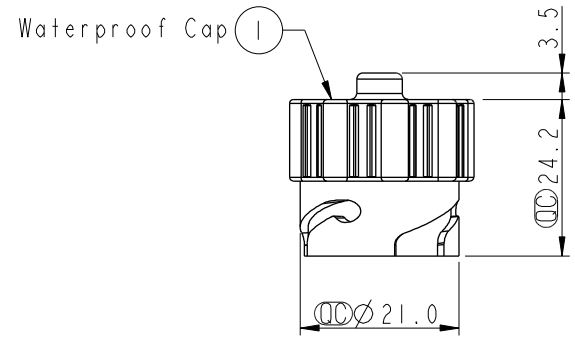
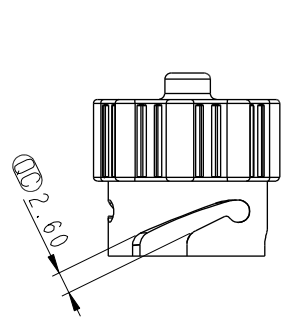
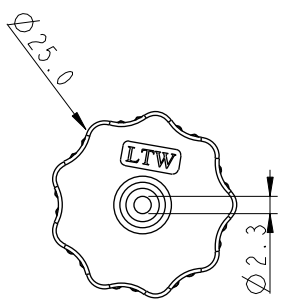
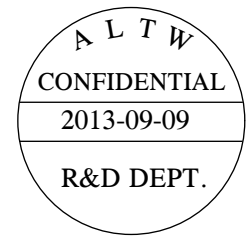


REV.	ECN NO.	DATE	SIGN	DESCRIPTION
A	Initial Release	2013/09/09	Vicky	Old Item No. CAP-WEBMFLAI



Note:  
 \*  $\varnothing$  Important Dimension.  
 \* Waterproof Rate: IP67  
 \* Cap: PBT+PC, Black

UNIT: mm		
TOLERANCE		
.X	±0.25	
.XX	±0.1	
.XXX	±0.05	
ANGLES	±1°	

TITLE Waterproof Cap, MIX Size GBD Female Conn, 3 Point Lock		
SCALE 1:1	SIZE A4	SHEET 1 OF 1
REV. A	WC-REV. A.1	$\varnothing$ : Inspection item

**Amphenol LTW**  
 安費諾亮泰企業股份有限公司

ITEM NO. CAP-WEBFTMAI	DRAWN BY Vicky	DATE 2013-09-09
DWG NO. CAP-WEBFTMAI	CHECKED BY Sam	DATE 2013-09-09
CUSTOMER ALTW	APPROVED BY Rita	DATE 2013-09-09

THIS DOCUMENT IS SUBJECT TO CHANGE WITHOUT NOTICE. IT IS CONFIDENTIAL AND A PROPERTY OF AMPHENOL LTW. DISCLOSURE TO THIRD PARTY HAS TO BE AUTHORIZED BY AMPHENOL LTW.