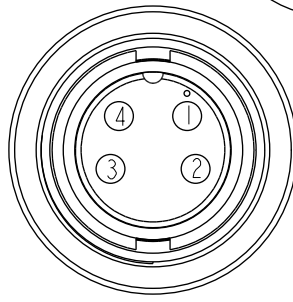
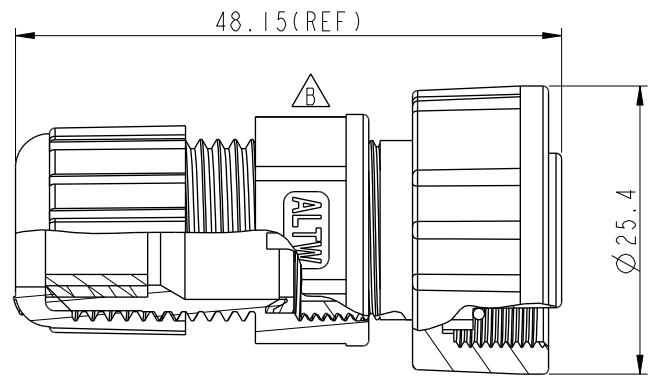
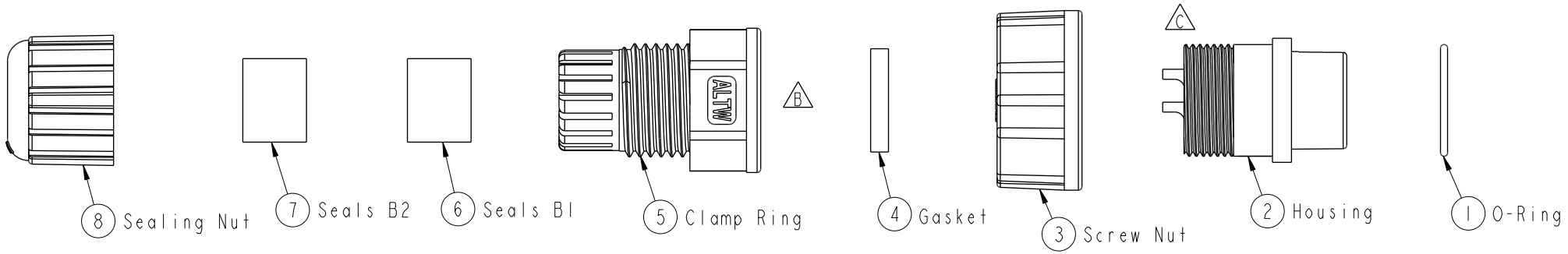


THIS DOCUMENT IS SUBJECT TO CHANGE WITHOUT NOTICE. IT IS CONFIDENTIAL AND A PROPERTY OF Amphenol LTW. DISCLOSURE TO THIRD PARTY HAS TO BE AUTHORIZED BY Amphenol LTW.

REV.	ECN NO.	DATE	SIGN	DESCRIPTION
B	LEN1741178	2017/04/11	Ruru	Change Logo
C	C200907	2020/06/12	Ruru	△ X3



Pin Assignments
Front View 前視圖

ALTW
CONFIDENTIAL
2020-06-12
R&D DEPT.

- △ Note:
- * \varnothing Important Dimension.
 - * Waterproof Rate : IP67
 - * O-Ring: Rubber, Black
 - * Housing: Thermoplastic, Black
 - * Pin :Copper Alloy, Gold Plated
 - * Screw Nut: Thermoplastic, Black
 - * Gasket : Rubber, Black
 - * Seals : Rubber, Black
 - * Clamp Ring: Thermoplastic, Black
 - * Sealing Nut: Thermoplastic, Black
 - * Seals B1 for Cable OD:Ø 7.6mm~Ø 9.6mm
 - * Seals B2 for Cable OD:Ø 4.0mm~Ø 7.6mm
 - * One Set Unassembled in One PE Bag

UNIT: mm		TITLE O CERES, C-10A, 04P, CABLE W/O SR F, F, FI SOLDER, SCREW △			<h1>Amphenol LTW</h1> 安費諾亮泰企業股份有限公司	ITEM NO	CB-04BFFA-SL7001	DRAWN BY	Ruru	DATE	2017-04-11
		TOLERANCE	.X ±0.25	.XX ±0.1		.XXX ±0.05	ANGLES ±1°	DWG NO	CB-04BFFA-SL7001	CHECKED BY	Rita
		SCALE	2:1	SIZE	A4	SHEET	1	OF	1		
		REV.	C	WC-REV.	A.4	Inspection item		CUSTOMER	ALTW	APPROVED BY	Max
						DATE			2017-04-11		