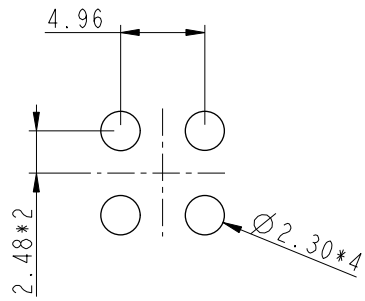
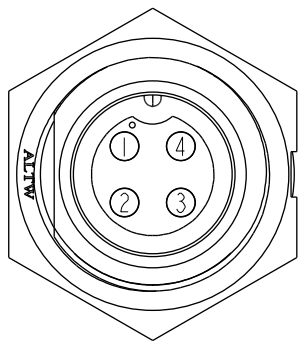
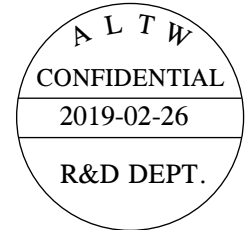
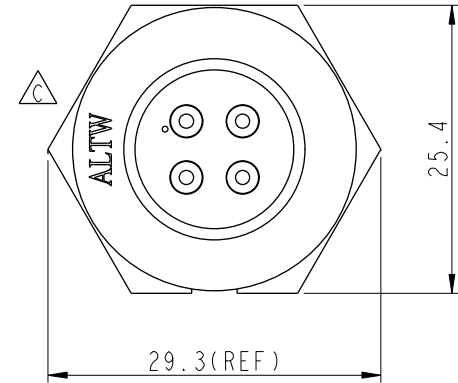
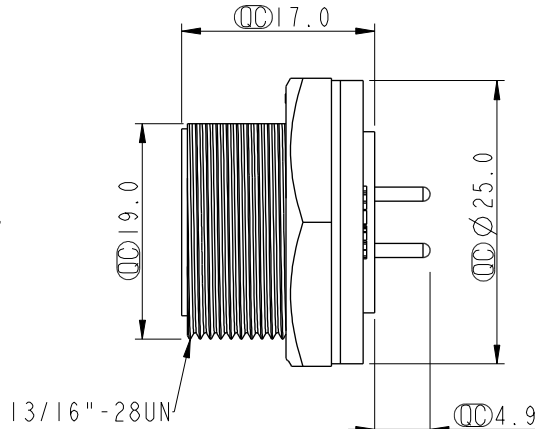
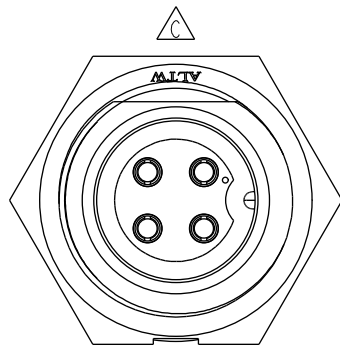


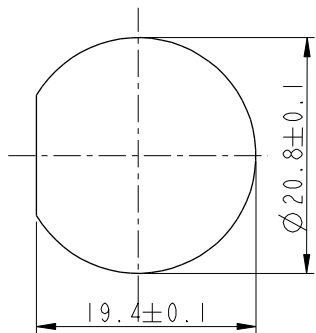
| REV. | ECN NO. | DATE | SIGN | DESCRIPTION |
|------|------------|------------|------|-------------|
| B | LEN-8B0196 | 2008/09/25 | Shin | Add Note |
| C | LEN1630302 | 2016/03/10 | Ruru | Change Logo |
| D | CI90269 | 2019/02/26 | Ruru | Modify Note |



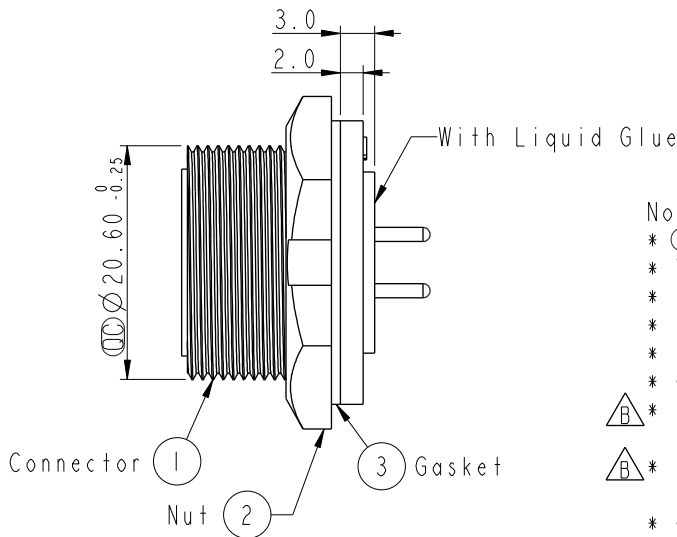
4Pin Male Connector
Female Pin PCB Layout



Pin Assignments
Front View



Recommender Panel Cut-Out



- Note: \triangle
- * CC Important Dimension To Check.
 - * Waterproof Rate: IP67, Unmated
 - * Housing: Thermoplastic, Black
 - * Pin: Copper Alloy, Gold Plated
 - * Nut: Thermoplastic, Black
 - * Gasket: Rubber, Black
 - $\triangle B$ * Use with waterproof cap or dust cap
Panel Thickness Max: 2.0mm
 - $\triangle A$ * Use without waterproof cap or dust cap
Panel Thickness Max: 3.0mm
 - * Gasket and Nut are packed separately
in PE bags.

| | | |
|-----------|-------|--|
| UNIT:mm | | |
| TOLERANCE | | |
| .X | ±0.25 | |
| .XX | ±0.1 | |
| .XXX | ±0.05 | |
| ANGLES | ±1° | |

| | | | |
|--|----------------|-------------------------------|--|
| TITLE MIDDLE PANEL SCREW 4PIN M CONN F PIN | | | |
| SCALE 1:1 | SIZE A4 | SHEET 1 OF 1 | |
| REV. D | WC-REV. A.4 | CC : Inspection item | |

Amphenol LTW
安費諾亮泰企業股份有限公司

| | | |
|-----------------------------|--------------------|--------------------|
| ITEM NO CB-04PMFP-SC7001 | DRAWN BY Ruru | DATE 2019-02-26 |
| DWG NO CB-04PMFP-SC7001 | CHECKED BY Rita | DATE 2019-02-26 |
| CUSTOMER ALTW | APPROVED BY Max | DATE 2019-02-26 |

THIS DOCUMENT IS SUBJECT TO CHANGE WITHOUT NOTICE. IT IS CONFIDENTIAL AND A PROPERTY OF Amphenol LTW. DISCLOSURE TO THIRD PARTY HAS TO BE AUTHORIZED BY Amphenol LTW.