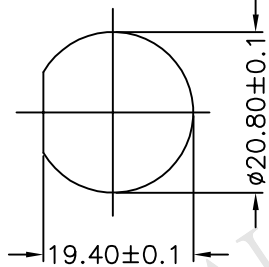
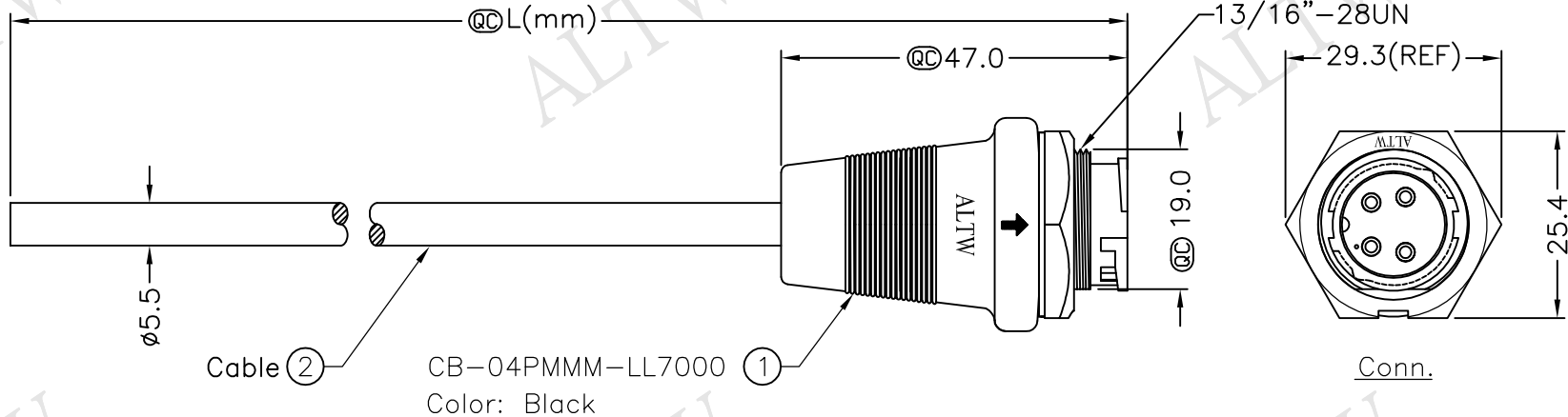
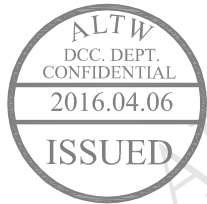
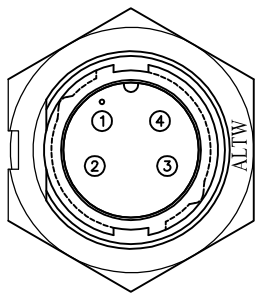


REV.	ECN NO.	DATE	SIGN	DESCRIPTION
B	LEN-8B0032~35	2008/09/25	Shin	Add Note
C	LEN1630589~92	2016/03/18	Ruru	Change Logo & Note



Recommended Panel Cut-Out



Pin Assignments Front View

4	White	白
3	Black	黑
2	Blue	藍
1	Brown	棕
Conn.	Wire Color	
	Pin Out	



CB-04PMMM-LL7AXX

XX:01~99Meter
 01:01Meter
 02:02Meters
 ...
 99:99Meters

Cable Length(L):01~99Meters

Note:

- * @C Important Dimension To Check.
- * Waterproof Rate: IP67
- * Housing: Nylon+GF,Black
- * Pin: Copper Alloy,Gold Plated
- * Cable: UL2464 20AWG*4C+D+AL/My Black,PVC Jacket UV Resistant, OD=5.5
- △* Use with waterproof cap or dust cap
 Panel Thickness Max: 2.0mm
- △* Use without waterproof cap or dust cap
 Panel Thickness Max: 3.0mm
- △* Cable Length Tolerance: 01M: ±40mm
 02M~05M: ±60mm
 06M~10M: ±100mm
 11M~30M: ±200mm
 31M~99M: ±500mm

UNIT:mm		TITLE Middle, Cable Lock 4 Pin M Conn. M Pin
TOLERANCE ±0.5 mm	SCALE Free	SHEET 1 OF 1
REV. C	SIZE A4	@C :Inspection Item

Amphenol LTW
 安費諾亮泰企業股份有限公司

ITEM NO	DRAWN BY Ruru	DATE 2016/03/18
DWG NO CB-04PMMM-LL7AXX	CHECKED BY Rita	DATE 2016/03/18
CUSTOMER ALTW	APPROVED BY Lisa	DATE 2016/03/18

THIS DOCUMENT IS SUBJECT TO CHANGE WITHOUT NOTICE. IT IS CONFIDENTIAL AND A PROPERTY OF AMPHENOL LTW. DISCLOSURE TO THIRD PARTY HAS TO BE AUTHORIZED BY AMPHENOL LTW.