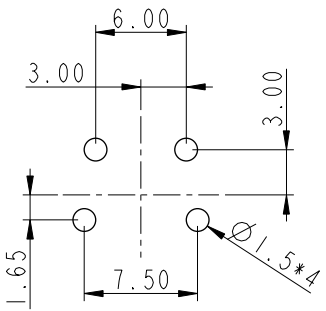
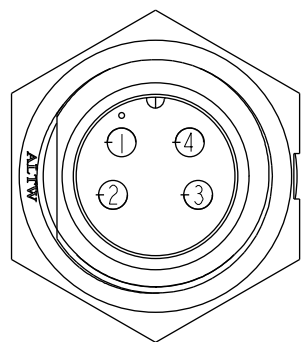
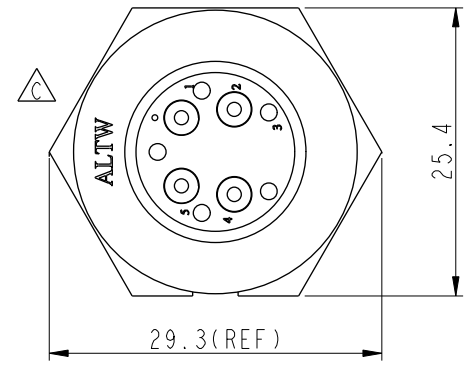
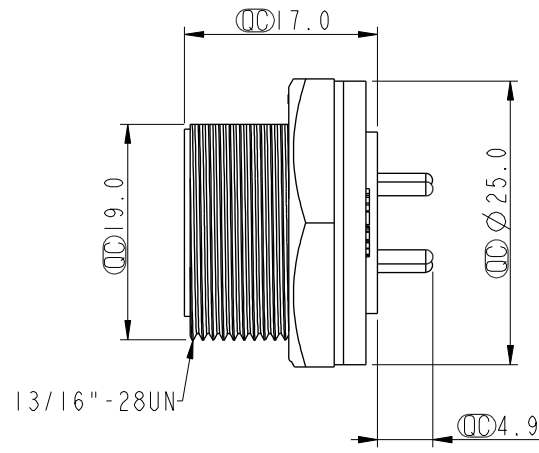
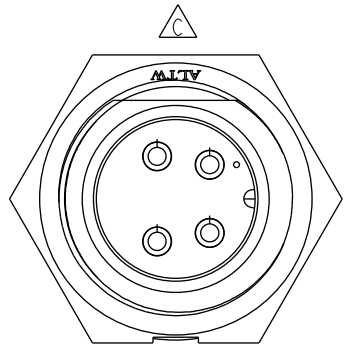


REV.	ECN NO.	DATE	SIGN	DESCRIPTION
B	LEN-8B0096	2008/09/25	Shin	Add Note
C	LEN1630294	2016/03/09	Ruru	Change Logo
D	CI90269	2019/02/26	Ruru	Modify Note

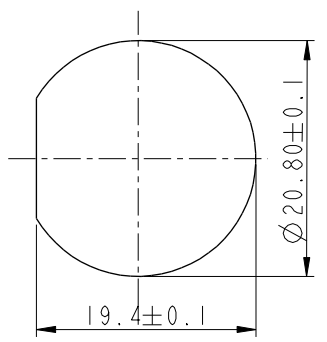
ALTW
CONFIDENTIAL
 2019-02-26
 R&D DEPT.



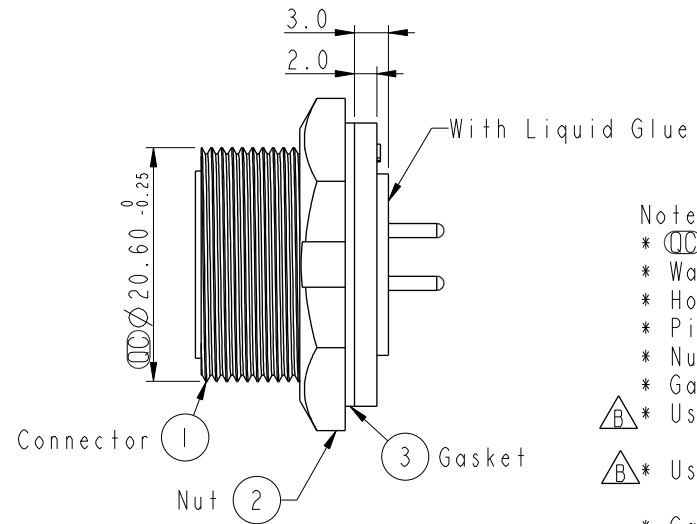
4Pin Male Connector
Male Pin PCB Layout



Pin Assignments
Front View



Recommended Panel Cut-Out



Note: \triangle

- * \odot Important Dimension To Check.
- * Waterproof Rate: IP67, Unmated
- * Housing: Thermoplastic, Black
- * Pin: Copper Alloy, Gold Plated
- * Nut: Thermoplastic, Black
- * Gasket: Rubber, Black
- $\triangle B$ * Use with waterproof cap or dust cap
Panel Thickness Max: 2.0mm
- $\triangle B$ * Use without waterproof cap or dust cap
Panel Thickness Max: 3.0mm
- * Gasket and Nut are packed separately in PE bags.

UNIT: mm		
TOLERANCE	.X ±0.25	
	.XX ±0.1	
	.XXX ±0.05	
ANGLES	±1°	

TITLE MIDDLE PANEL SCREW 4PIN M CONN. M PIN			
SCALE 1:1	SIZE A4	SHEET 1 OF 1	
REV. D	WC-REV. A.4	\odot : Inspection item	

Amphenol LTW
 安費諾亮泰企業股份有限公司

ITEM NO. CB-04PMMP-SC7001	DRAWN BY Ruru	DATE 2019-02-26
DWG NO. CB-04PMMP-SC7001	CHECKED BY Rita	DATE 2019-02-26
CUSTOMER ALTW	APPROVED BY Max	DATE 2019-02-26

THIS DOCUMENT IS SUBJECT TO CHANGE WITHOUT NOTICE. IT IS CONFIDENTIAL AND A PROPERTY OF AMPHENOL LTW. DISCLOSURE TO THIRD PARTY HAS TO BE AUTHORIZED BY AMPHENOL LTW.