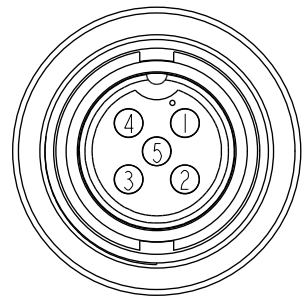
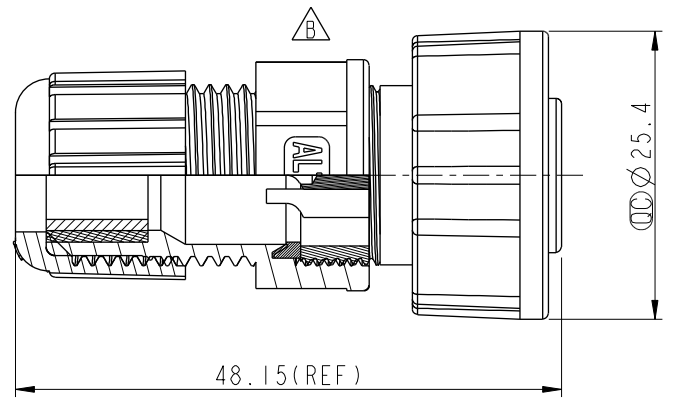
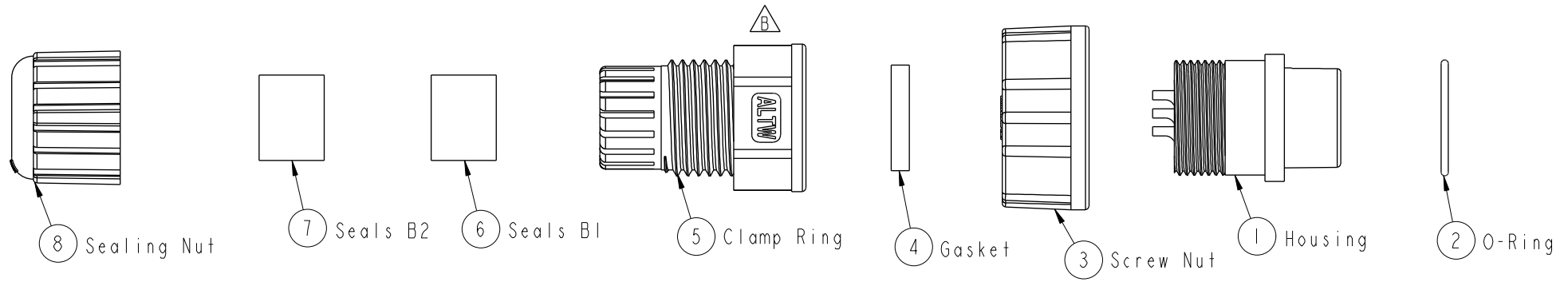
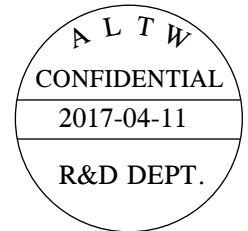


THIS DOCUMENT IS SUBJECT TO CHANGE WITHOUT NOTICE. IT IS CONFIDENTIAL AND A PROPERTY OF Amphenol LTW. DISCLOSURE TO THIRD PARTY HAS TO BE AUTHORIZED BY Amphenol LTW.

REV.	ECN NO.	DATE	SIGN	DESCRIPTION
B	LEN1741181	2017/04/11	Ruru	Change Logo



Pin Assignments
Front View 前視圖



- Note:
- * \varnothing Important Dimension To Check.
 - * Waterproof Rate: IP67
 - * Housing: Nylon+GF, Black.
 - * Male Pin: Copper Alloy, Gold Plated.
 - * O-Ring: EPDM, Black.
 - * Screw Nut: Nylon+GF, Black.
 - * Gasket: EPDM, Black.
 - * Clamp Ring: Nylon, Black.
 - * Sealing Nut: Nylon, Black.
 - * Seals B1 for Cable OD: $\varnothing 7.6\text{mm} - \varnothing 9.6\text{MM}$
 - * Seals B2 for Cable OD: $\varnothing 4.0\text{MM} - \varnothing 7.6\text{MM}$
 - * One Set Unassembled in One PE Bag.

UNIT: mm		TITLE MIDDLE ASSY SCREW 5PIN F CONN M PIN			<h1>Amphenol LTW</h1> 安費諾亮泰企業股份有限公司	ITEM NO	DRAWN BY	DATE
		SCALE	SIZE	SHEET OF		CB-05BFMA-SL7001	Ruru	2017-04-11
		REV.	WC-REV.	\varnothing : Inspection item		CB-05BFMA-SL7001	Checked BY	DATE
TOLERANCE	± 0.25 ± 0.1 ± 0.05 $\pm 1^\circ$	1:1	A4	1 OF 1	CUSTOMER	APPROVED BY	DATE	
		B	A.2		ALTW	Max	2017-04-11	