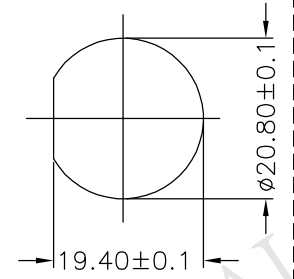
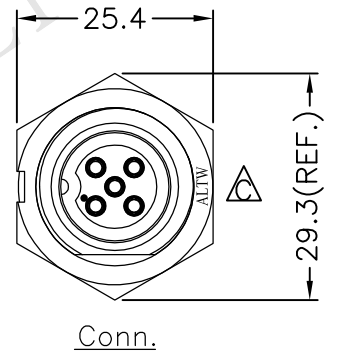
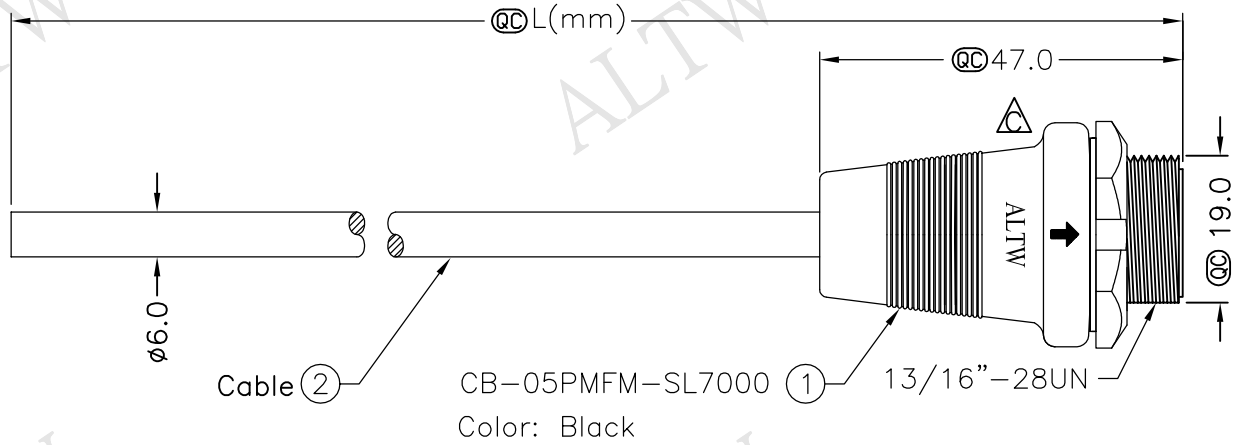
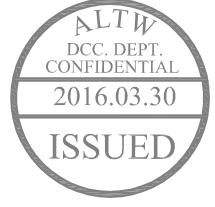


REV.	ECN NO.	DATE	SIGN	DESCRIPTION
B	LEN-8B0198~201	2008/09/25	Shin	Add Note
C	LEN1630448~451	2016/03/11	Ruru	Change Logo & Note

THIS DOCUMENT IS SUBJECT TO CHANGE WITHOUT NOTICE. IT IS CONFIDENTIAL AND A PROPERTY OF AMPHENOL LTW. DISCLOSURE TO THIRD PARTY HAS TO BE AUTHORIZED BY AMPHENOL LTW.



Recommended Panel Cut-Out



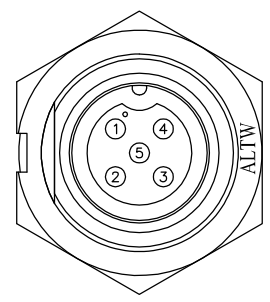
CB-05PMFM-SL7AXX

- XX:01~99Meter
- 01:01Meter
- 02:02Meters
- ⋮
- 99:99Meters

Cable Length(L):01~99Meters

Note:

- \*  $\textcircled{QC}$  Important Dimension To Check.
- \* Waterproof Rate: IP67
- \* Housing: Nylon+GF, Black
- \* Pin: Copper Alloy, Gold Plated
- \* Cable: UL2464 20AWG\*5C+D+AL/My, PVC Jacket UV Resistant, OD=6.0, Black
- $\triangle$ \* Use with waterproof cap or dust cap  
Panel Thickness Max: 1.2mm
- $\triangle$ \* Use without waterproof cap or dust cap  
Panel Thickness Max: 2.0mm
- $\triangle$ \* Cable Length Tolerance: 01M:  $\pm 40$ mm  
02M~05M:  $\pm 60$ mm  
06M~10M:  $\pm 100$ mm  
11M~30M:  $\pm 200$ mm  
31M~99M:  $\pm 500$ mm



Pin Assignments Front View

5	Green	綠
4	White	白
3	Black	黑
2	Blue	藍
1	Brown	棕
Conn.	Wire Color	Pin Out

UNIT:mm		TITLE
TOLERANCE	$\pm 0.5$ mm	Middle, Cable Screw 5 Pin M Conn. F Pin
SCALE	Free	SHEET 1 OF 1
REV. C	SIZE A4	$\textcircled{QC}$ : Inspection Item

**Amphenol LTW**  
安費諾亮泰企業股份有限公司

ITEM NO	DRAWN BY	DATE
DWG NO	CHECKED BY	DATE
CUSTOMER	APPROVED BY	DATE