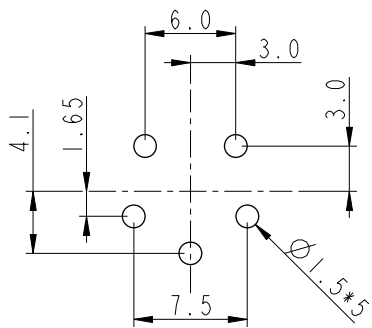
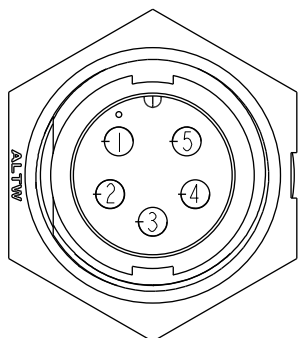
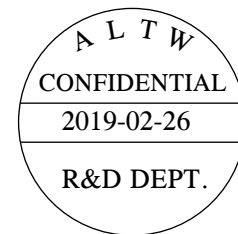
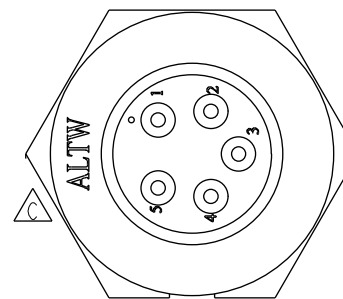
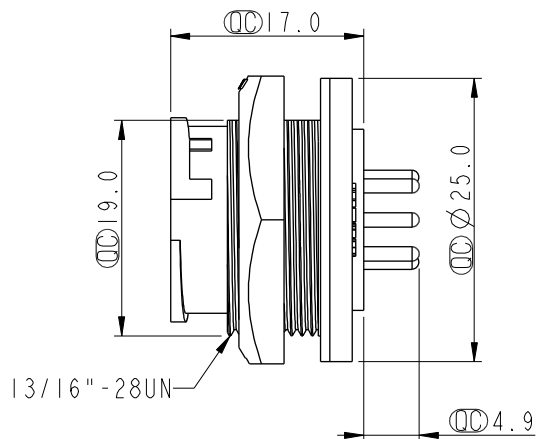
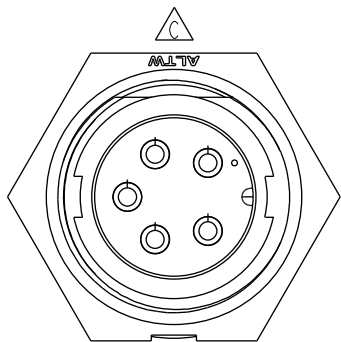


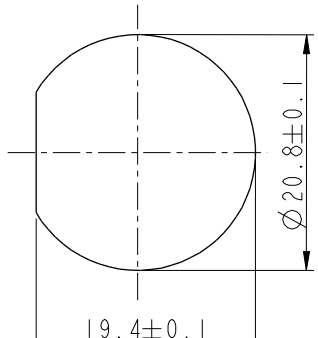
REV.	ECN NO.	DATE	SIGN	DESCRIPTION
B	LEN-8B0042	2008/09/25	Shin	Add Note
C	LEN1530188	2014/12/19	Ruru	Change Logo
D	CI90269	2019/02/26	Ruru	Modify Note



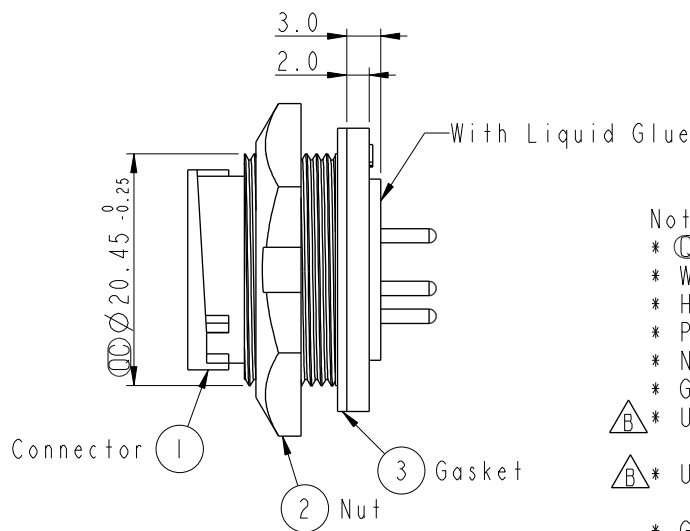
5Pin Male Connector
Male Pin PCB Layout



Pin Assignments
Front View



Recommended Panel Cut-Out



Note: \triangle

- * \odot Important Dimension To Check.
- * Waterproof Rate: IP67, Unmated
- * Housing: Thermoplastic, Black
- * Pin: Copper Alloy, Gold Plated
- * Nut: Thermoplastic, Black
- * Gasket: Rubber, Black

- \triangle Use with waterproof cap or dust cap
Panel Thickness Max: 3.0mm
- \triangle Use without waterproof cap or dust cap
Panel Thickness Max: 4.0mm
- * Gasket and Nut are packed separately
in PE bags.

UNIT: mm	TITLE MIDDLE PANEL LOCK 5PIN M CONN M PIN			Amphenol LTW 安費諾亮泰企業股份有限公司	ITEM NO. CB-05PMMP-LC7001	DRAWN BY Ruru	DATE 2019-02-26	
	TOLERANCE .X ±0.25 .XX ±0.1 .XXX ±0.05 ANGLES ±1°	SCALE 1:1	SIZE A4		SHEET 1 OF 1	DWG NO. CB-05PMMP-LC7001	CHECKED BY Rita	DATE 2019-02-26
		REV. D	WC-REV. A.2		\odot : Inspection item	CUSTOMER ALTW	APPROVED BY Max	DATE 2019-02-26
					W10814-03-001A2			

THIS DOCUMENT IS SUBJECT TO CHANGE WITHOUT NOTICE. IT IS CONFIDENTIAL AND A PROPERTY OF AMPHENOL LTW. DISCLOSURE TO THIRD PARTY HAS TO BE AUTHORIZED BY AMPHENOL LTW.