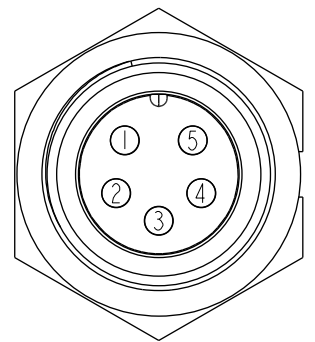
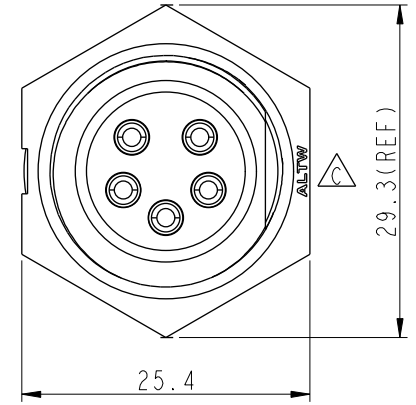
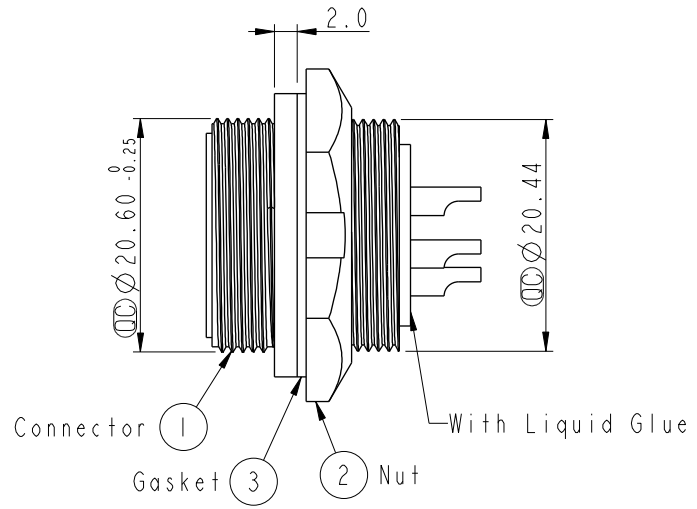
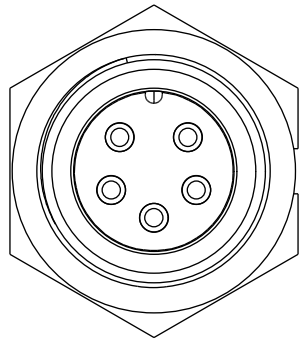


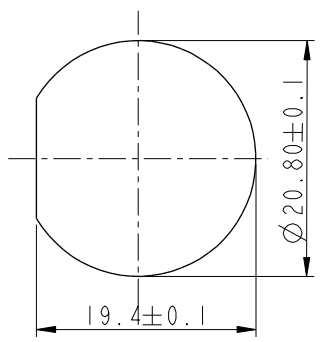
THIS DOCUMENT IS SUBJECT TO CHANGE WITHOUT NOTICE. IT IS CONFIDENTIAL AND A PROPERTY OF AMPHENOL LTW. DISCLOSURE TO THIRD PARTY HAS TO BE AUTHORIZED BY AMPHENOL LTW.

REV.	ECN NO.	DATE	SIGN	DESCRIPTION
B	LEN-8B0243	2008/10/03	Shin	Add Note
C	CI90269	2019/02/26	Ruru	Modify Note & Change Logo

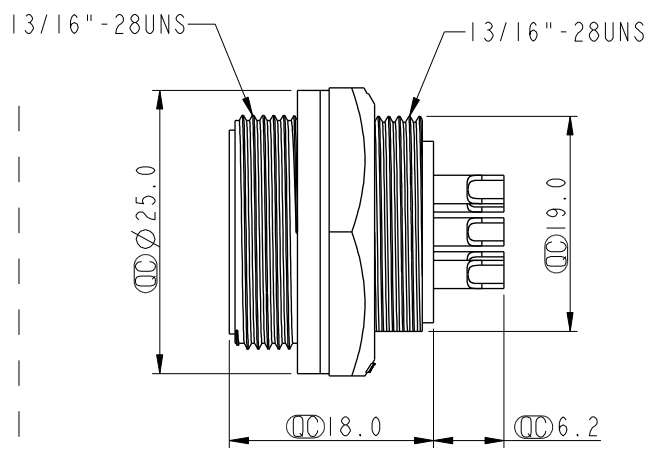
ALTW
 CONFIDENTIAL
 2019-02-26
 R&D DEPT.



Pin Assignments
Front View



Recommended Panel Cut-Out



- Note: C
- * Important Dimension.
 - * Waterproof Rate: IP67, Unmated
 - * Housing: Thermoplastic, Black
 - * Pin: Copper Alloy, Gold Plated
 - * Nut: Thermoplastic, Black
 - * Gasket: Rubber, Black
 - B * Use with waterproof cap or dust cap
Maximum Panel Thickness: 3.0mm
 - B * Use without waterproof cap or dust cap
Maximum Panel Thickness: 4.0mm
 - * Gasket and Nut are packed separately in PE bags.

UNIT:mm	
TOLERANCE	
.X	±0.25
.XX	±0.1
.XXX	±0.05
ANGLES	±1°

TITLE Middle, Panel Screw 5Pin M Conn. M Pin			
SCALE 1:1	SIZE A4	SHEET 1 OF 1	
REV. C	WC-REV. A.2	Inspection item	

Amphenol LTW
 安費諾亮泰企業股份有限公司

ITEM NO. CB-05RMMS-SC7001	DRAWN BY Ruru	DATE 2019-02-26
DWG NO. CB-05RMMS-SC7001	CHECKED BY Rita	DATE 2019-02-26
CUSTOMER ALTW	APPROVED BY Max	DATE 2019-02-26