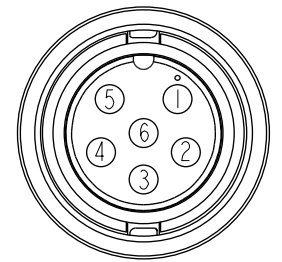
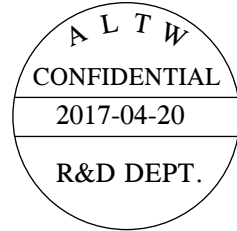
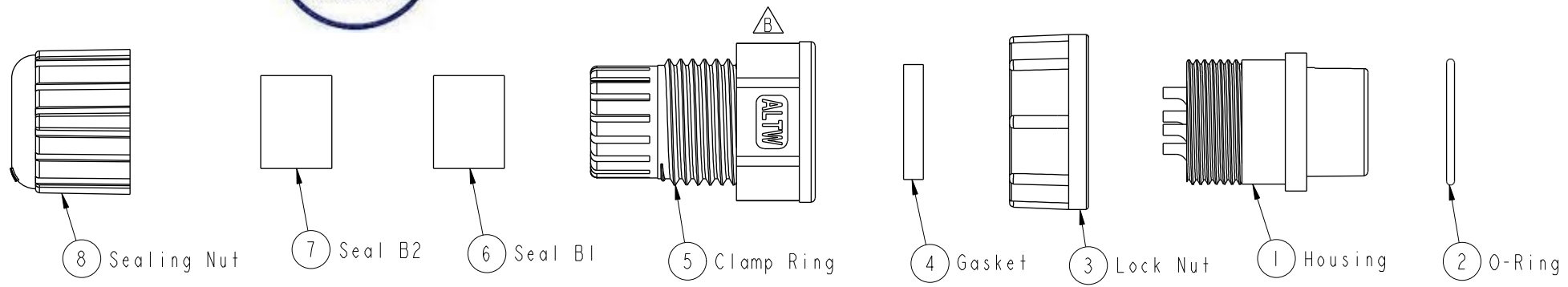
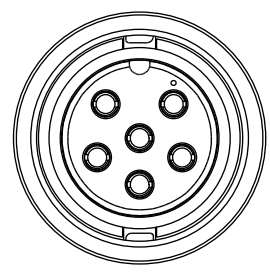
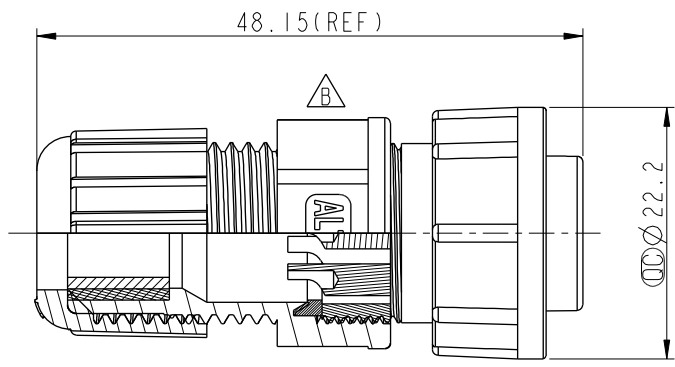


THIS DOCUMENT IS SUBJECT TO CHANGE WITHOUT NOTICE. IT IS CONFIDENTIAL AND A PROPERTY OF AMPHENOL LTW. DISCLOSURE TO THIRD PARTY HAS TO BE AUTHORIZED BY AMPHENOL LTW.

REV.	ECN NO.	DATE	SIGN	DESCRIPTION
B	LEN1741308	2017/04/20	Ruru	Change Logo



Pin Assignments
Front View



- Note:
- * \varnothing Important Dimension To Check.
 - * Waterproof Rate: IP67
 - * Housing: Nylon+GF, Black.
 - * Female Pin: Copper Alloy, Gold Plated.
 - * O-Ring: EPDM, Black.
 - * Lock Nut: Nylon+GF, Black.
 - * Gasket: EPDM, Black.
 - * Clamp Ring: Nylon, Black.
 - * Sealing Nut: Nylon, Black.
 - * Seals B1 for Cable OD: $\varnothing 7.6\text{mm} \sim \varnothing 9.6\text{MM}$
 - * Seals B2 for Cable OD: $\varnothing 4.0\text{MM} \sim \varnothing 7.6\text{MM}$
 - * One Set Unassembled in One PE Bag.

UNIT:mm		TITLE		ITEM NO		DRAWN BY		DATE	
		Middle, Assy Lock 6Pin F Conn F Pin		CB-06BFFA-LL7001		Ruru		2017-04-20	
		SCALE 1:1		SIZE A4	DWG NO CB-06BFFA-LL7001		CHECKED BY Rita		DATE 2017-04-20
		REV. B		WC-REV. A.2	CUSTOMER ALTW		APPROVED BY Max		DATE 2017-04-20
TOLERANCE .X ±0.25 .XX ±0.1 .XXX ±0.05 ANGLES ±1°		SHEET 1 OF 1 QC: Inspection item		Amphenol LTW 安費諾亮泰企業股份有限公司					