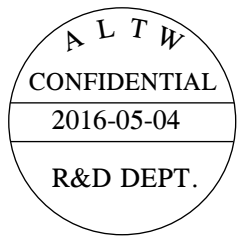
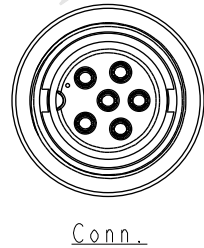
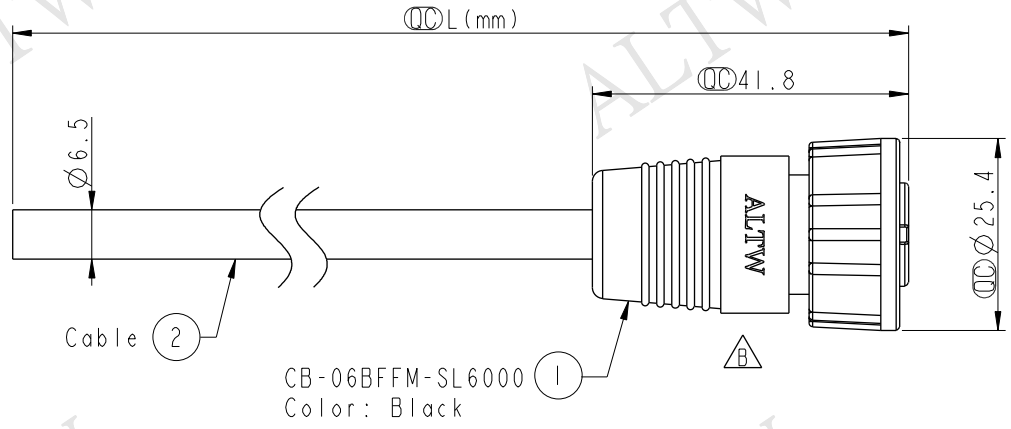
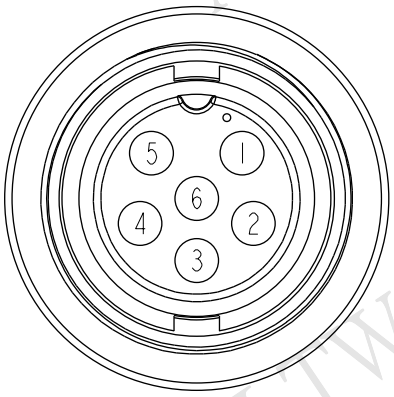


REV.	ECN NO.	DATE	SIGN	DESCRIPTION
B	LEN1650112~115	2016/05/04	Ruru	Change Logo & Note



CB-06BFFM-SL6AXX  
 XX : 01~99Meters  
 01 : 01Meter  
 02 : 02Meters  
 ...  
 99 : 99Meters

Cable Length(L):01~99Meters



6	Gray	灰
5	Yellow	黃
4	Green	綠
3	White	白
2	Blue	藍
1	Brown	棕
Conn.	Wire Color	Pin Out

Note:  
 \*  $\varnothing$  Important Dimension To Check.  
 \* Waterproof Rate: IP66  
 \* Housing: Nylon+GF, Black.  
 \* Female Pin: Copper Alloy, Gold Plated.  
 \* Cable: UL2464 20AWG\*6C+D+AL/My, PVC Jacket, UV Resistant, OD=6.5mm, Black.  
 \* Cable Length Tolerance:  $\triangle B$   
 02M~05M:  $\pm 60$ mm  
 06M~10M:  $\pm 100$ mm  
 11M~30M:  $\pm 200$ mm  
 31M~99M:  $\pm 500$ mm

UNIT:mm TOLERANCE $\pm 0.5$ mm	TITLE Middle Cable Screw 6Pin F Conn F Pin		Amphenol LTW 安費諾亮泰企業股份有限公司	ITEM NO	DRAWN BY Ruru	DATE 2016-05-04	
	SCALE 1:1	SIZE A4		SHEET 1	DWG NO CB-06BFFM-SL6AXX	CHECKED BY Rita	DATE 2016-05-04
	REV. B	WC-REV. A.1		$\varnothing$ : Inspection item	CUSTOMER ALTW	APPROVED BY Lisa	DATE 2016-05-04

THIS DOCUMENT IS SUBJECT TO CHANGE WITHOUT NOTICE. IT IS CONFIDENTIAL AND A PROPERTY OF Amphenol LTW. DISCLOSURE TO THIRD PARTY HAS TO BE AUTHORIZED BY Amphenol LTW.