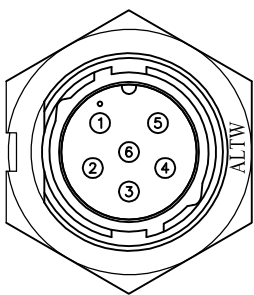
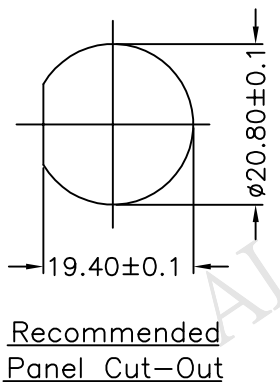
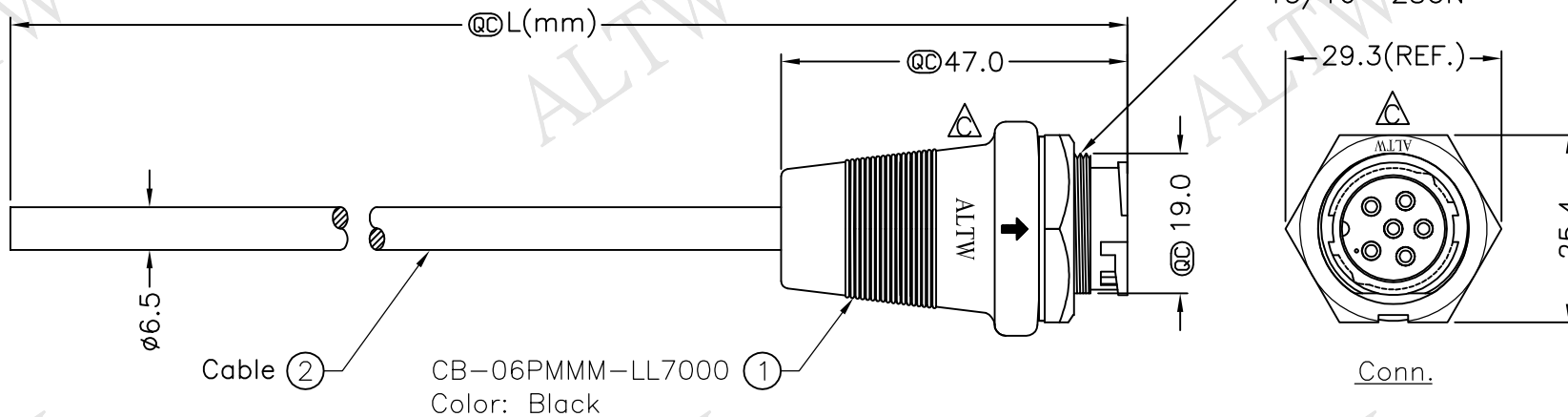
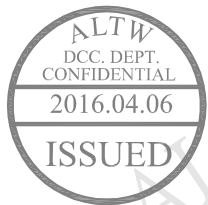


REV.	ECN NO.	DATE	SIGN	DESCRIPTION
B	LEN-8B0044~47	2008/09/25	Shin	Add Note
C	LEN1630595~98	2016/03/18	Ruru	Change Logo & Note



Pin Assignments Front View

6	Gray	灰
5	Yellow	黃
4	Green	綠
3	White	白
2	Blue	藍
1	Brown	棕
Conn.	Wire Color	Pin Out

CB-06PMMM-LL7AXX

XX:01~99Meters  
 01:01Meter  
 02:02Meters  
 :  
 :  
 99:99Meters

Cable Length(L):01~99Meters

Note:

- \* @C Important Dimension To Check.
- \* Waterproof Rate: IP67
- \* Housing: Nylon+GF,Black
- \* Pin: Copper Alloy,Gold Plated
- \* Cable: UL2464 20AWG\*6C+D+AL/My Black,PVC Jacket UV Resistant, OD=6.5
- △\* Use with waterproof cap or dust cap  
Panel Thickness Max: 2.0mm
- △\* Use without waterproof cap or dust cap  
Panel Thickness Max: 3.0mm
- △\* Cable Length Tolerance: 01M: ±40mm  
02M~05M: ±60mm  
06M~10M: ±100mm  
11M~30M: ±200mm  
31M~99M: ±500mm

UNIT:mm		TITLE Middle, Cable Lock 6 Pin M Conn. M Pin
TOLERANCE ±0.5 mm	SCALE Free	SHEET 1 OF 1
REV. C	SIZE A4	@C :Inspection Item

**Amphenol LTW**

安費諾亮泰企業股份有限公司

ITEM NO	DRAWN BY Ruru	DATE 2016/03/18
DWG NO CB-06PMMM-LL7AXX	CHECKED BY Rita	DATE 2016/03/18
CUSTOMER ALTW	APPROVED BY Lisa	DATE 2016/03/18

THIS DOCUMENT IS SUBJECT TO CHANGE WITHOUT NOTICE. IT IS CONFIDENTIAL AND A PROPERTY OF Amphenol LTW. DISCLOSURE TO THIRD PARTY HAS TO BE AUTHORIZED BY Amphenol LTW.