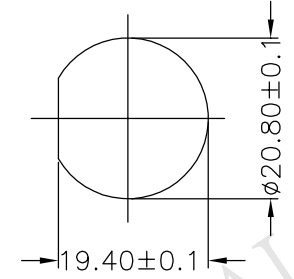
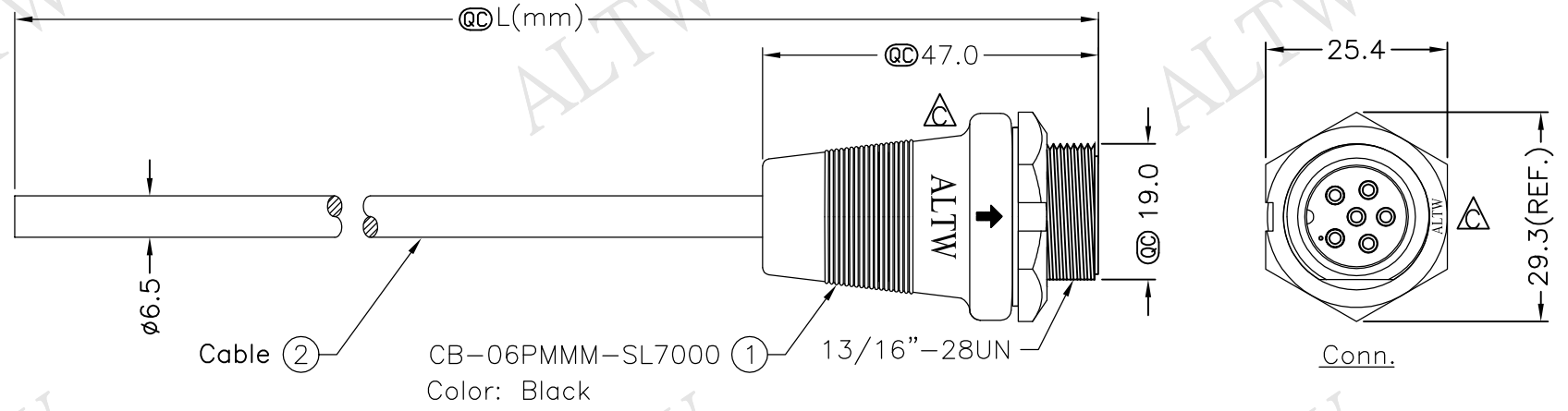
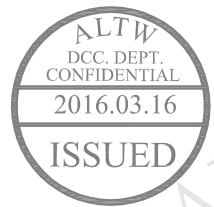
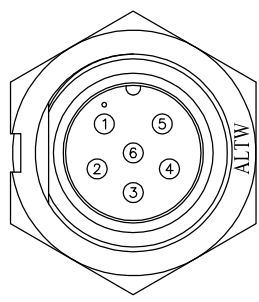


| REV. | ECN NO. | DATE | SIGN | DESCRIPTION |
|------|---------------|------------|------|--------------------|
| B | FN-8B0104~107 | 2008/09/25 | Shin | Add Note |
| C | FN1630289~292 | 2016/03/07 | Ruru | Change Logo & Note |



Recommended Panel Cut-Out



Pin Assignments Front View



| | | |
|-------|------------|---|
| 6 | Gray | 灰 |
| 5 | Yellow | 黃 |
| 4 | Green | 綠 |
| 3 | White | 白 |
| 2 | Blue | 藍 |
| 1 | Brown | 棕 |
| Conn. | Wire Color | |

Pin Out

CB-06PMMM-SL7AXX
 XX:01~99Meters
 01:01Meter
 02:02Meters
 :
 :
 99:99Meters
 Cable Length(L):01~99Meters

- Note:
- * @C Important Dimension To Check.
 - * Waterproof Rate: IP67
 - * Housing: Nylon+GF, Black
 - * Pin: Copper Alloy, Gold Plated
 - * Cable: UL2464 20AWG*6C+D+AL/My, PVC Jacket UV Resistant, OD=6.5, Black
 - △* Use with waterproof cap or dust cap
Panel Thickness Max: 1.2mm
 - △* Use without waterproof cap or dust cap
Panel Thickness Max: 2.0mm
 - △* Cable Length Tolerance: 01M: ±40mm
02M~05M: ±60mm
06M~10M: ±100mm
11M~30M: ±200mm
31M~99M: ±500mm

| | | | | | | | |
|-------------|----------------------|-----------------|--|--------------------------------------|------------------|---------------------|----------------------------|
| UNIT:mm | TOLERANCE ±0.5 mm | | TITLE Middle, Cable Screw 6 Pin M Conn. M Pin | Amphenol LTW 安費諾亮泰企業股份有限公司 | ITEM NO | DRAWN BY Ruru | DATE 2016/03/07 |
| | SCALE Free | SHEET 1 OF 1 | REV. C | | SIZE A4 | ②: Inspection Item | DWG NO CB-06PMMM-SL7AXX |
| | | | | | CUSTOMER ALTW | APPROVED BY Lisa | DATE 2016/03/07 |

THIS DOCUMENT IS SUBJECT TO CHANGE WITHOUT NOTICE. IT IS CONFIDENTIAL AND A PROPERTY OF Amphenol LTW. DISCLOSE TO THIRD PARTY HAS TO BE AUTHORIZED BY Amphenol LTW.