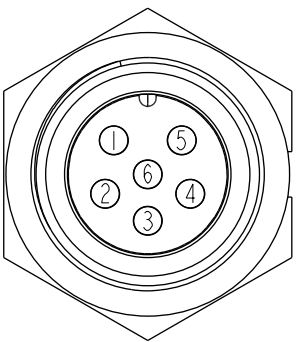
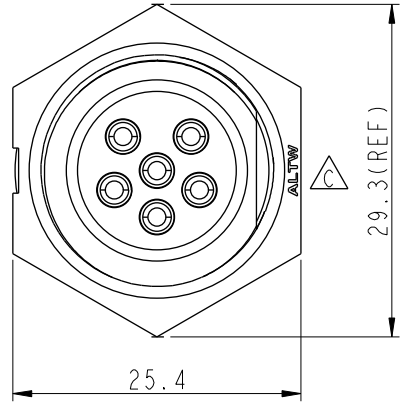
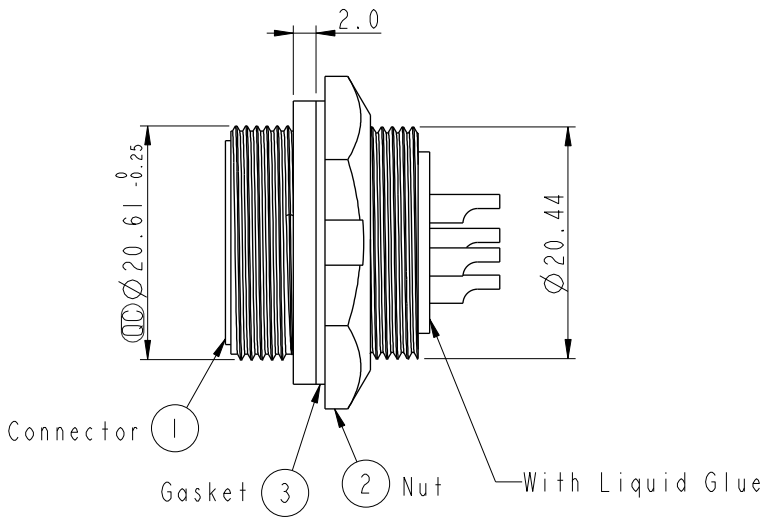
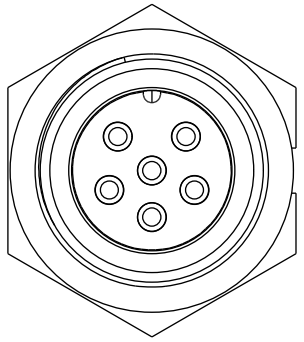
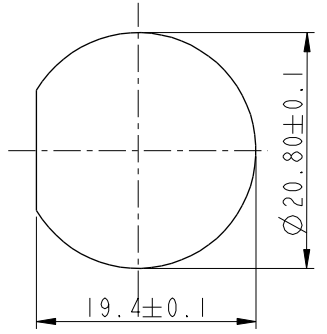


REV.	ECN NO.	DATE	SIGN	DESCRIPTION
B	LEN-8B0244	2008/10/03	Shin	Add Note
C	CI90271	2019/02/26	Ruru	Modify Note & Change Logo

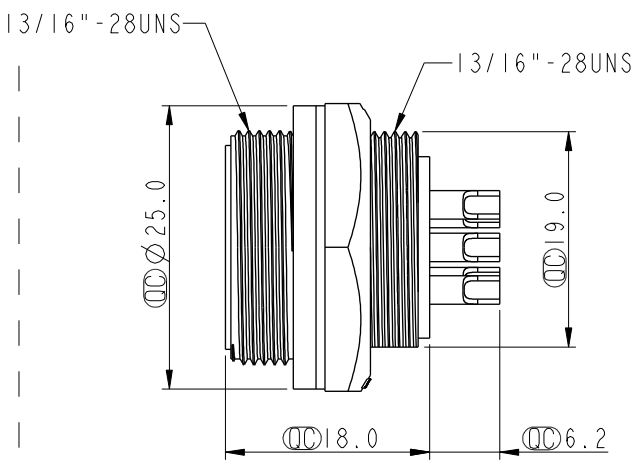
ALTW
CONFIDENTIAL
 2019-02-26
 R&D DEPT.



Pin Assignments
Front View



Recommender Panel Cut-Out



- Note: $\triangle C$
- * CC Important Dimension.
 - * Waterproof Rate: IP67, Unmated
 - * Housing: Thermoplastic, Black
 - * Pin: Copper Alloy, Gold Plated
 - * Nut: Thermoplastic, Black
 - * Gasket: Rubber, Black
 - $\triangle B$ * Use with waterproof cap or dust cap
Maximum Panel Thickness: 3.0mm
 - $\triangle B$ * Use without waterproof cap or dust cap
Maximum Panel Thickness: 4.0mm
 - * Gasket and Nut are packed separately in PE bags.

UNIT: mm	
TOLERANCE	
.X	±0.25
.XX	±0.1
.XXX	±0.05
ANGLES	±1°

TITLE Middle, Panel Screw 6Pin M Conn. M Pin			
SCALE 1:1	SIZE A4	SHEET 1 OF 1	
REV. C	WC-REV. A.2	CC : Inspection item	

Amphenol LTW
 安費諾亮泰企業股份有限公司

ITEM NO. CB-06RMMS-SC7001	DRAWN BY Ruru	DATE 2019-02-26
DWG NO. CB-06RMMS-SC7001	CHECKED BY Rita	DATE 2019-02-26
CUSTOMER ALTW	APPROVED BY Max	DATE 2019-02-26

THIS DOCUMENT IS SUBJECT TO CHANGE WITHOUT NOTICE. IT IS CONFIDENTIAL AND A PROPERTY OF Amphenol LTW. DISCLOSURE TO THIRD PARTY HAS TO BE AUTHORIZED BY Amphenol LTW.