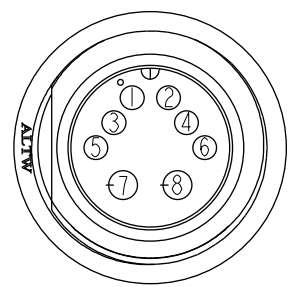
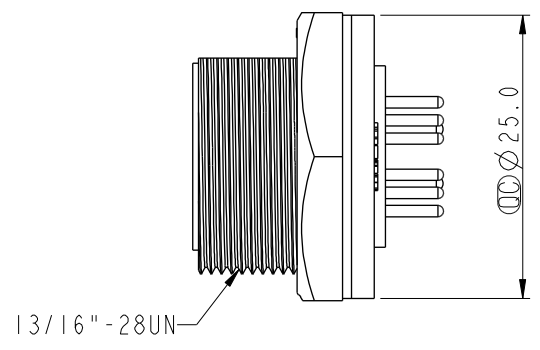


THIS DOCUMENT IS SUBJECT TO CHANGE WITHOUT NOTICE. IT IS CONFIDENTIAL AND A PROPERTY OF Amphenol LTW. DISCLOSURE TO THIRD PARTY HAS TO BE AUTHORIZED BY Amphenol LTW.

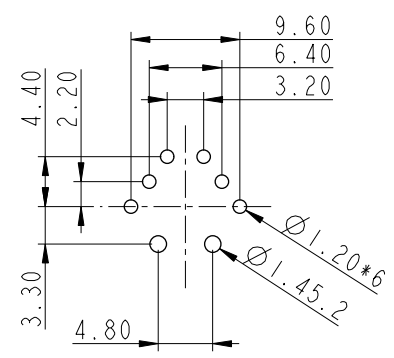
REV.	ECN NO.	DATE	SIGN	DESCRIPTION
C	LEN-8B0110	2008/09/25	Shin	Add Note
D	LEN1630512	2016/03/16	Ruru	Change Logo
E	CI90271	2019/02/27	Ruru	Modify Note



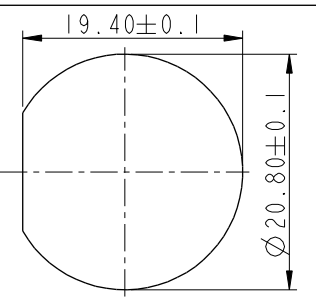
Pin Assignments
Front View



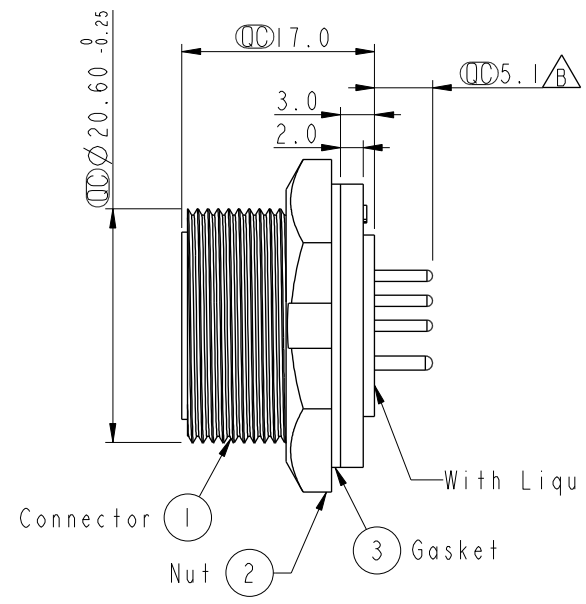
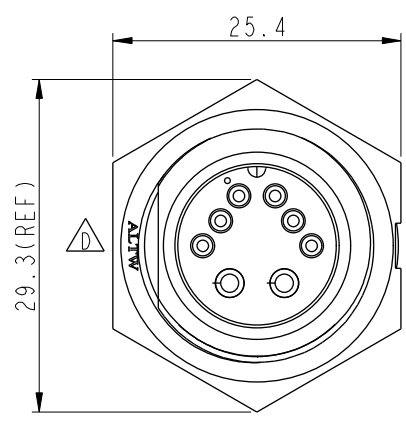
13/16"-28UN



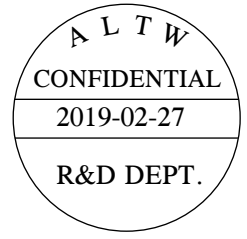
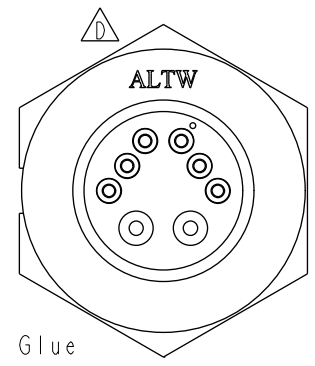
8Pin Male Connector
Female Pin PCB Layout
8 Pin 公接頭
PCB挖孔位置尺寸圖



Recommended
Panel Cut-Out



Connector 1
Nut 2
Gasket 3
With Liquid Glue



- Note: \triangle
- * ⌀ Important Dimension.
 - * Waterproof Rate: IP67, Unmated
 - * Housing: Thermoplastic, Black
 - * Pin: Copper Alloy, Gold Plated(10A)
 - * Pin: Copper Alloy, Gold Plated(5A)
 - * Nut: Thermoplastic, Black
 - * Gasket: Rubber, Black
 - \triangle * Use with waterproof cap or dust cap
Panel Thickness Max: 2.0mm
 - \triangle * Use without waterproof cap or dust cap
Panel Thickness Max: 3.0mm
 - * Gasket and Nut are packed separately in PE bags.

UNIT: mm		
TOLERANCE	.X ±0.25	
.XX ±0.1		
.XXX ±0.05		
ANGLES	±1°	

TITLE Middle, Panel Screw 8Pin M Conn M Pin			
SCALE 1:1	SIZE A4	SHEET 1 OF 1	
REV. E	WC-REV. A.3	⌀ : Inspection item	

Amphenol LTW
安費諾亮泰企業股份有限公司

ITEM NO CBD-08PMMP-SC7001	DRAWN BY Ruru	DATE 2019-02-27
DWG NO CBD-08PMMP-SC7001	CHECKED BY Rita	DATE 2019-02-27
CUSTOMER ALTW	APPROVED BY Max	DATE 2019-02-27