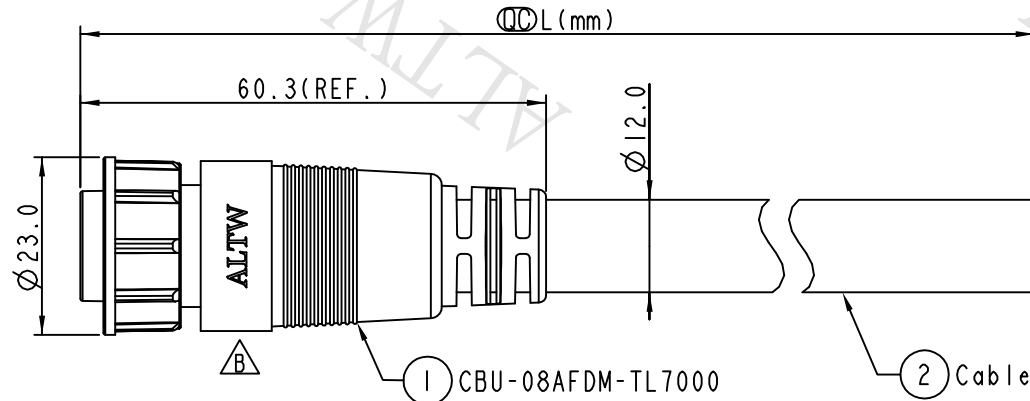


REV.	ECN NO.	DATE	SIGN	DESCRIPTION
A	Initial Release	2010/10/15	Jimmy	Rev.01 Changed To Rev.A
B	LEN1480564~567	2014/08/20	Vicky	Update Logo



Conn.



CBU-08AFDM-TL7AXX

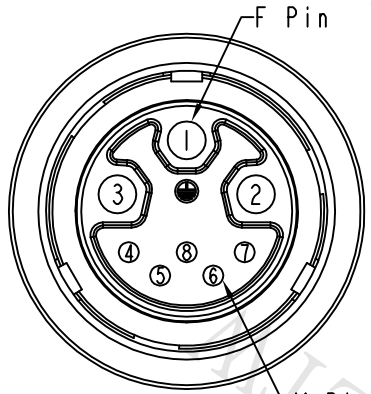
- XX : 01~99Meters
- 01 : 01Meter
- 02 : 02Meters
- ...
- 99 : 99Meters

Cable Length(L): 01~99Meters

8	Drain	24AWG	地線
7	Green	24AWG	綠
6	White/Green	24AWG	白/綠
5	Orange	24AWG	橘
4	White/Orange	24AWG	白/橘
3	Blue	16AWG	藍
2	Brown	16AWG	棕
1	Green/Yellow	16AWG	綠/黃
Conn.	Wire Color		
	Pin Out		

Twist
對線

Twist
對線



Conn.
Pin Assignments
Front View

Note:

- * CC Important Dimension To Check
- * Waterproof Rate: IP67
- * Housing: Nylon+GF, Black
- * Pin: Copper Alloy, Gold Plated
- * Lock Nut: Nylon+GF, Black
- * O-Ring: EPDM, Black
- * Cable: UL2464 (24AWG*2P+D+A1/My)+16AWG*3C+F+P, Black, PVC Jacket, UV Resistant, OD=12.0
- * Cable Length Tolerance:
 - 01M: ±40mm
 - 02M~05M: ±60mm
 - 06M~10M: ±100mm
 - 11M~30M: ±200mm
 - 31M~99M: ±500mm

UNIT: mm

TOLERANCE

±0.5 mm

TITLE			
HyBrid Cable, Middle, 3Key 3FPin(10A)+5MPin(2A)			
SCALE	SIZE	SHEET	OF
1:1	A4	1	1
REV.	WC-REV.	CC : Inspection item	
B	A.1		

Amphenol LTW
安費諾亮泰企業股份有限公司

ITEM NO	DRAWN BY	DATE
	Vicky	2014-08-20
DWG NO	CHECKED BY	DATE
CBU-08AFDM-TL7AXX	Sam	2014-08-20
CUSTOMER	APPROVED BY	DATE
ALTW	Rita	2014-08-20

THIS DOCUMENT IS SUBJECT TO CHANGE WITHOUT NOTICE. IT IS CONFIDENTIAL AND A PROPERTY OF Amphenol LTW. DISCLOSURE TO THIRD PARTY HAS TO BE AUTHORIZED BY Amphenol LTW.