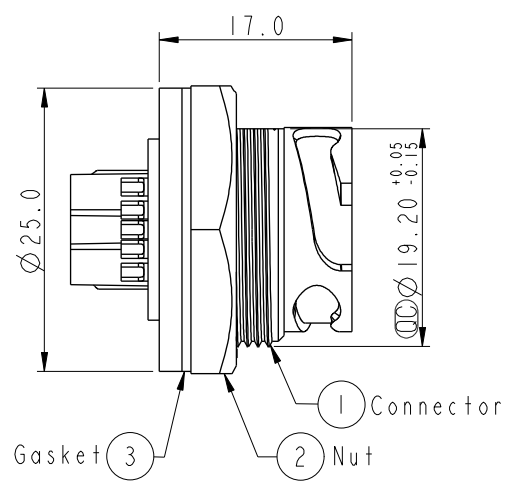
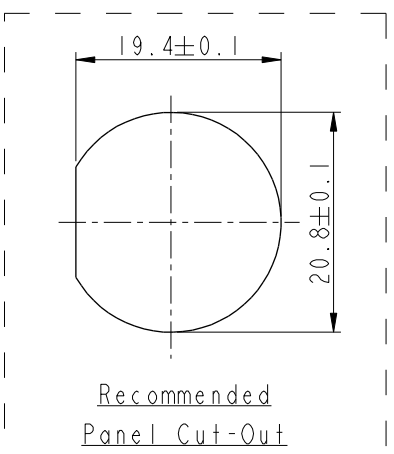
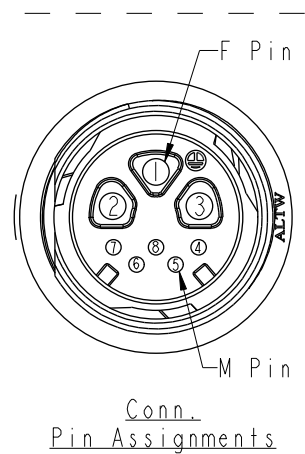
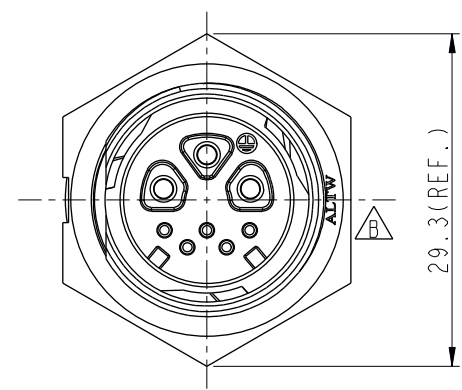
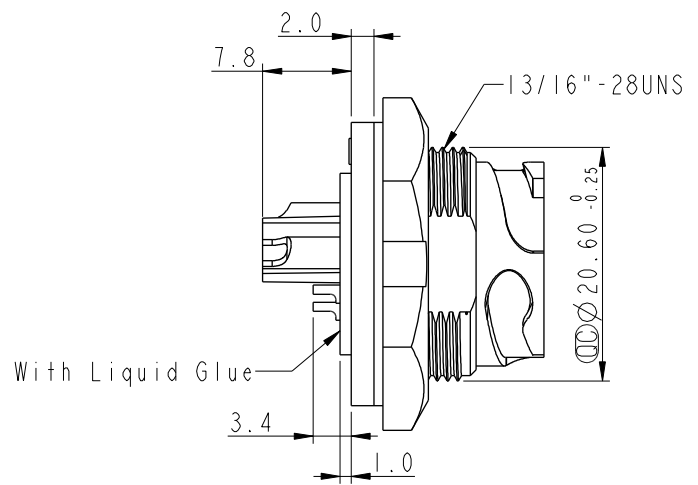
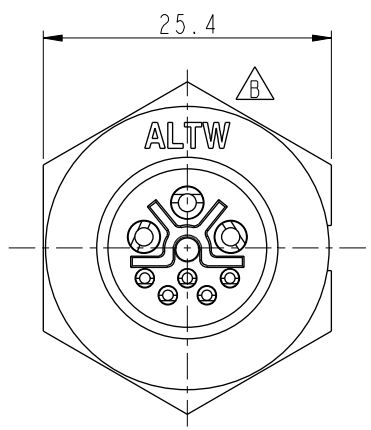
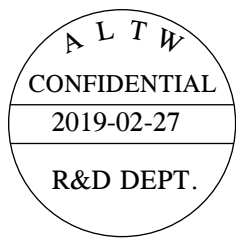


THIS DOCUMENT IS SUBJECT TO CHANGE WITHOUT NOTICE. IT IS CONFIDENTIAL AND A PROPERTY OF Amphenol LTW. DISCLOSURE TO THIRD PARTY HAS TO BE AUTHORIZED BY Amphenol LTW.

REV.	ECN NO.	DATE	SIGN	DESCRIPTION
A	Initial Release	2010/10/19	Jimmy	Rev.01 Changed To Rev.A
B	CI90267	2019/02/27	Ruru	Modify Note & Change Logo



- Note: $\triangle B$
- * $\text{\textcircled{C}}$ Important Dimension To Check.
 - * Waterproof Rate: IP67, Unmated
 - * Housing: Thermoplastic, Black
 - * Pin: Copper Alloy, Gold Plated
 - * Nut: Thermoplastic, Black
 - * Gasket: Rubber, Gray
 - * Use With Waterproof Cap Or Dust Cap
Panel Thickness Max: 3.0mm
 - * Use Without Waterproof Cap Or Dust Cap
Panel Thickness Max: 4.0mm
 - * Gasket and Nut are packed separately
in PE bags.

UNIT: mm		
TOLERANCE	.X ±0.25	
	.XX ±0.1	
	.XXX ±0.05	
ANGLES	±1°	

TITLE HyBrid Panel, Middle, 3Key 3FPin(10A)+5MPin(2A)			
SCALE 3:2	SIZE A4	SHEET 1 OF 1	
REV. B	WC-REV. A.2	$\text{\textcircled{C}}$: Inspection item	

Amphenol LTW
安費諾亮泰企業股份有限公司

ITEM NO. CBU-08PMDS-TC7001	DRAWN BY Ruru	DATE 2019-02-27
DWG NO. CBU-08PMDS-TC7001	CHECKED BY Rita	DATE 2019-02-27
CUSTOMER ALTW	APPROVED BY Max	DATE 2019-02-27