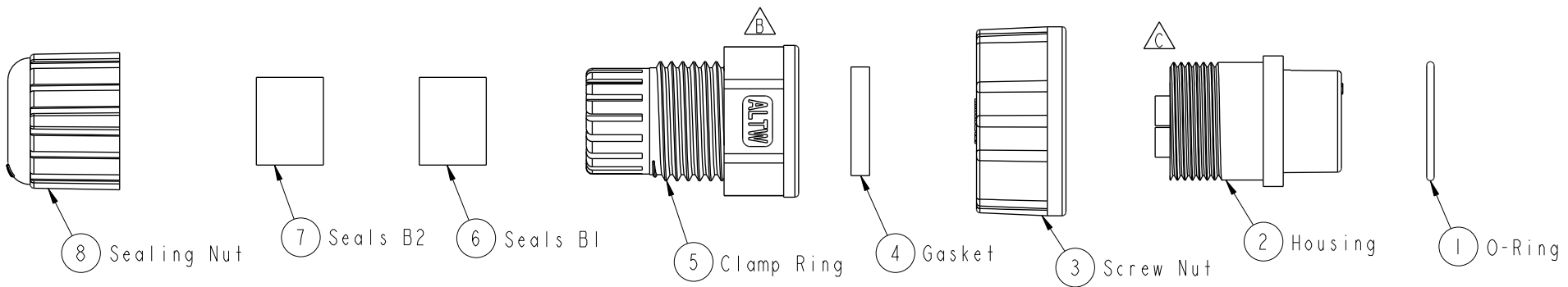
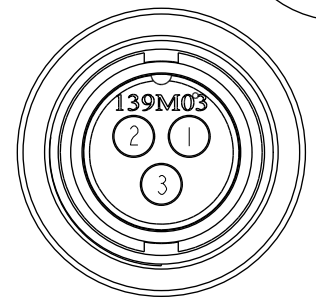
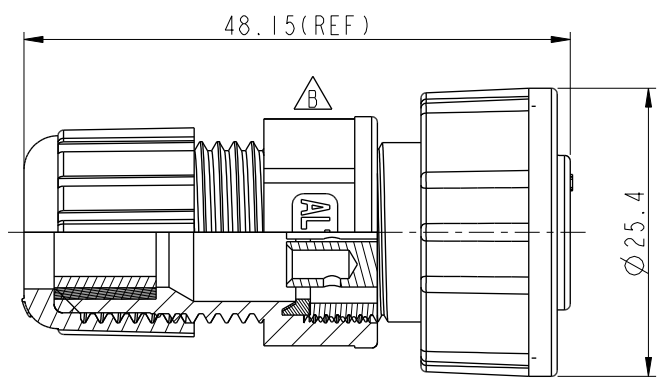


THIS DOCUMENT IS SUBJECT TO CHANGE WITHOUT NOTICE. IT IS CONFIDENTIAL AND A PROPERTY OF AMPHENOL LTW. DISCLOSURE TO THIRD PARTY HAS TO BE AUTHORIZED BY AMPHENOL LTW.

REV.	ECN NO.	DATE	SIGN	DESCRIPTION
B	LEN1741183	2017/04/11	Ruru	Change Logo
C	C200906	2020/06/11	Ruru	\triangle C X3



ALTW
 CONFIDENTIAL
 2020-06-12
 R&D DEPT.



Pin Assignments
Front View 前視圖

- \triangle Note:
- * $\text{\textcircled{O}}$ Important Dimension.
 - * Waterproof Rate: IP67
 - * Connector: Thermoplastic, Black
 - * O-Ring: Rubber, Black
 - * Pin: Copper Alloy, Gold Plated
 - * Screw Nut: Thermoplastic, Black
 - * Gasket : Rubber, Black
 - * Seals : Rubber, Black
 - * Clamp Ring: Thermoplastic, Black
 - * Sealing Nut: Thermoplastic, Black
 - * Seals B1 for Cable OD: ϕ 7.6mm~ ϕ 9.6mm
 - * Seals B2 for Cable OD: ϕ 4.0mm~ ϕ 7.6mm
 - * One Set Unassembled in One PE Bag

UNIT: mm		
TOLERANCE	± 0.25	
.X	± 0.1	
.XX	± 0.05	
.XXX	± 0.05	
ANGLES	$\pm 1^\circ$	

TITLE O CERES, C-20A, 03P, CABLE W/O SR F, F, FI SOLDER, SCREW \triangle C			
SCALE	SIZE	SHEET	OF
1:1	A4	1	1
REV.	WC-REV.	$\text{\textcircled{O}}$: Inspection item	
C	A.3		

Amphenol LTW
 安費諾亮泰企業股份有限公司

ITEM NO.	CC-03BFFA-SL7001	DRAWN BY	Ruru	DATE	2017-04-11
DWG NO.	CC-03BFFA-SL7001	CHECKED BY	Rita	DATE	2017-04-11
CUSTOMER	ALTW	APPROVED BY	Max	DATE	2017-04-11