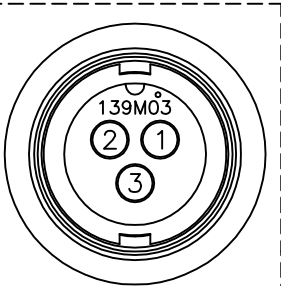
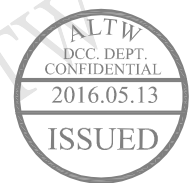
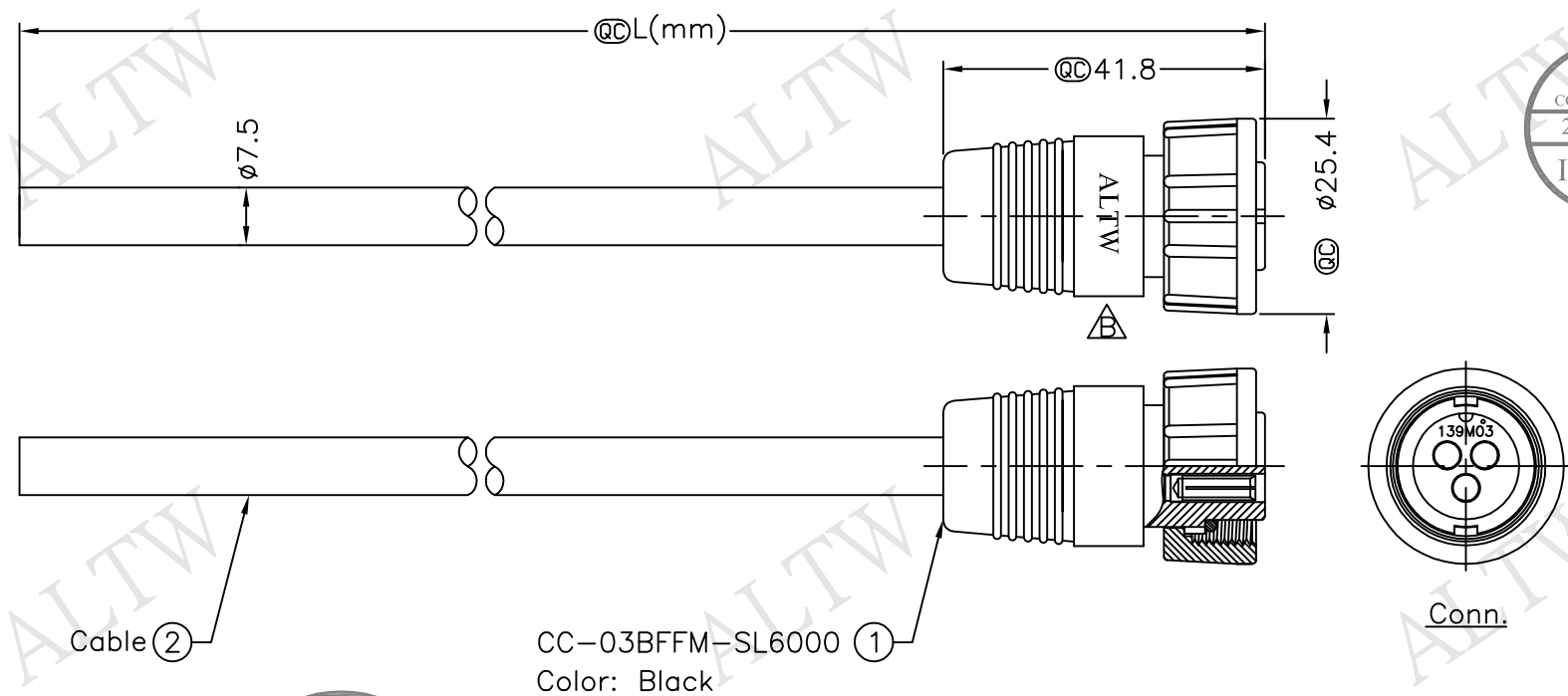


REV.	ECN NO.	DATE	SIGN	DESCRIPTION
B	LEN1650188~191	2016/05/05	Ruru	Change Logo & Note



Pin Assignments  
Front View

3	Black
2	Blue
1	Brown
Conn.	Wire Color
Pin Out	

CC-03BFFM-SL6AXX  
 XX :01~99Meters  
 01 :01Meter  
 02 :02Meters  
 :  
 :  
 99 :99Meters  
 Cable Length(L):01~99Meters

- Notes:
- \* @C Important Dimensions To Check.
  - \* Waterproof Rate: IP66
  - \* Housing: Nylon+GF, Black
  - \* Female Pin: Copper Alloy, Gold Plated
  - \* Cable: UL2464 16#\*3C+D+Al/My Black, PVC Jacket UV Resistant, OD=7.5
  - \* Cable Length Tolerance: 01M: ±40mm  
 02M~05M: ±60mm  
 06M~10M: ±100mm  
 11M~30M: ±200mm  
 31M~99M: ±500mm

UNIT:mm		TITLE	Middle, Cable Screw 3Pin F Conn. F Pin		ITEM NO	DRAWN BY	DATE
TOLERANCE	±0.5 mm	SCALE	Free	SHEET 1 OF 1	DWG NO	CHECKED BY	DATE
		REV.	B	SIZE	A4	APPROVED BY	DATE
				@C	:Inspection Item	Lisa	2016/05/05
Amphenol LTW			安費諾亮泰企業股份有限公司		CUSTOMER	ALTW	8 FMW10702-01-01A2

THIS DOCUMENT IS SUBJECT TO CHANGE WITHOUT NOTICE. IT IS CONFIDENTIAL AND A PROPERTY OF Amphenol LTW. DISCLOSE TO THIRD PARTY HAS TO BE AUTHORIZED BY Amphenol LTW.