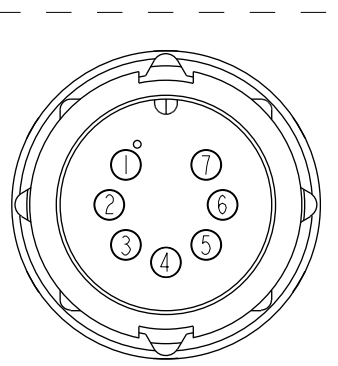
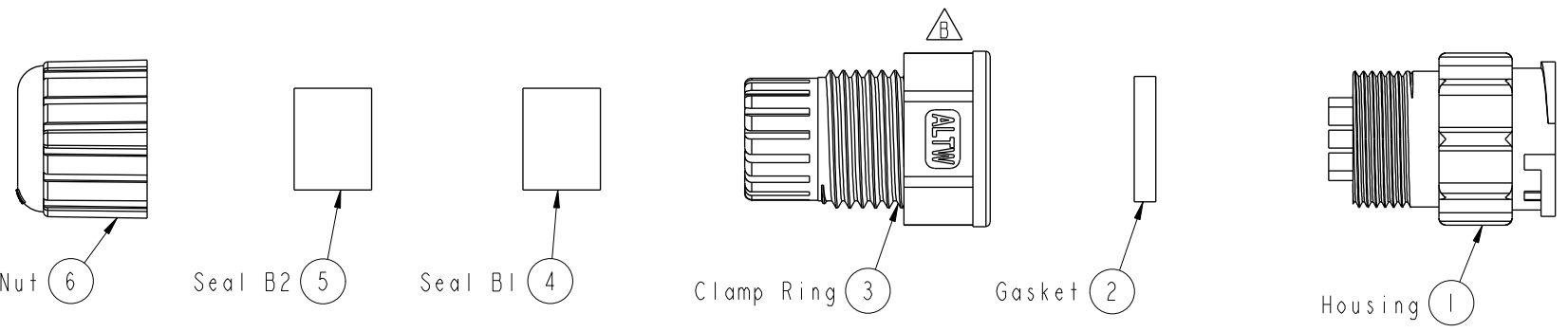
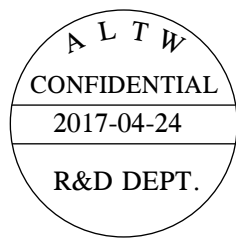
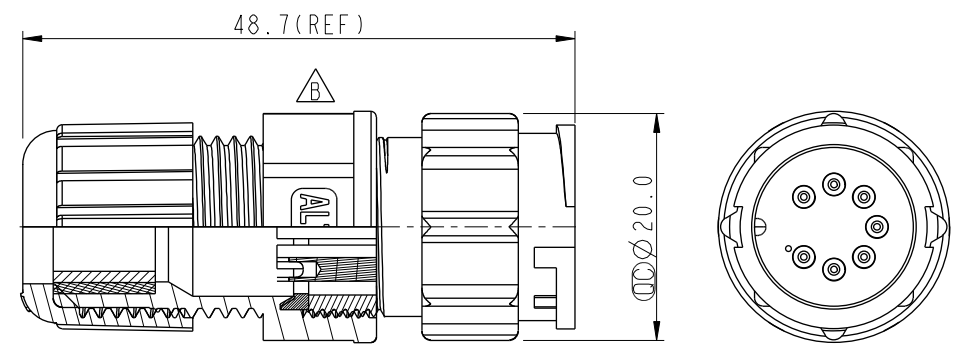


THIS DOCUMENT IS SUBJECT TO CHANGE WITHOUT NOTICE. IT IS CONFIDENTIAL AND A PROPERTY OF AMPHENOL LTW. DISCLOSURE TO THIRD PARTY HAS TO BE AUTHORIZED BY AMPHENOL LTW.

REV.	ECN NO.	DATE	SIGN	DESCRIPTION
B	LEN1741316	2017/04/24	Ruru	Change Logo



Pin Assignments
Front View



Note:

- * \varnothing Important Dimension To Check.
- * Waterproof Rate: IP67
- * Housing: Nylon+GF, Black
- * Pin: Copper Alloy, Gold Plated
- * Gasket: Silicon, Black
- * Clamp Ring: Nylon, Black
- * Seals B1 for Cable OD: $\varnothing 7.6\text{mm} \sim \varnothing 9.6\text{mm}$
- * Seals B2 for Cable OD: $\varnothing 4.0\text{mm} \sim \varnothing 7.6\text{mm}$
- * Sealing Nut: Nylon, Black
- * $\textcircled{7}$ One Set Unassembled in One PE Bag

UNIT:mm		
TOLERANCE		
.X	± 0.25	
.XX	± 0.1	
.XXX	± 0.05	
ANGLES	$\pm 1^\circ$	

TITLE Middle Assembly Lock 7Pin M Conn M Pin			
SCALE 1:1	SIZE A4	SHEET 1 OF 1	
REV. B	WC-REV. A.2	\varnothing : Inspection item	

Amphenol LTW
安費諾亮泰企業股份有限公司

ITEM NO. CD-07BMMA-LL7001	DRAWN BY Ruru	DATE 2017-04-24
DWG NO. CD-07BMMA-LL7001	CHECKED BY Rita	DATE 2017-04-24
CUSTOMER ALTW	APPROVED BY Max	DATE 2017-04-24