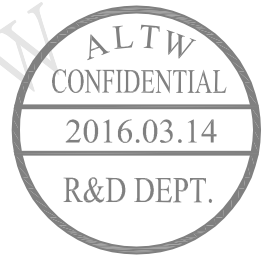
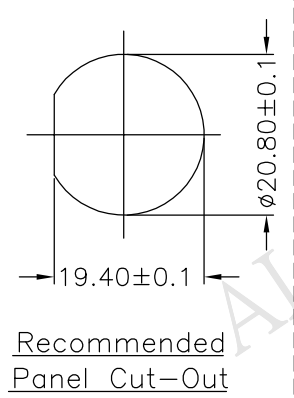
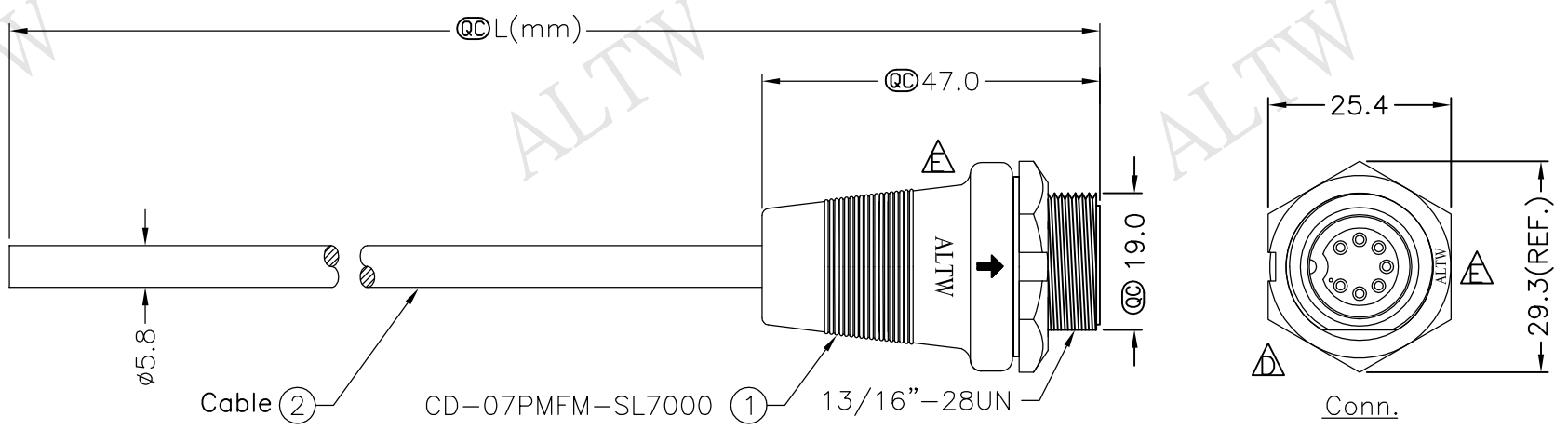


REV.	ECN NO.	DATE	SIGN	DESCRIPTION
C		2008/09/25	Shin	Add Note
D	LEN-8B0700~703	2008/11/07	Ivan	Change to pin hole
E	LEN1630454~457	2016/03/14	Ruru	Change Logo & Note

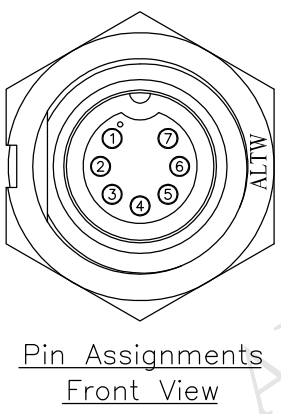
THIS DOCUMENT IS SUBJECT TO CHANGE WITHOUT NOTICE. IT IS CONFIDENTIAL AND A PROPERTY OF Amphenol LTW. DISCLOSURE TO THIRD PARTY HAS TO BE AUTHORIZED BY Amphenol LTW.



Cable ② CD-07PMFM-SL7000  
Color: Black

① 13/16"-28UN

- Note:
- \*  $\textcircled{Q}$  Important Dimension To Check.
  - \* Waterproof Rate: IP67
  - \* Housing: Nylon+GF,Black
  - \* Pin: Copper Alloy,Gold Plated
  - \* Cable: UL2464 24AWG\*7C+D+AL/My Black,PVC Jacket UV Resistant, OD=5.8
  - $\triangle$ \* Use with waterproof cap or dust cap  
Panel Thickness Max: 1.2mm
  - $\triangle$ \* Use without waterproof cap or dust cap  
Panel Thickness Max: 2.0mm
  - $\triangle$ \* Cable Length Tolerance: 01M:  $\pm 40$ mm  
02M~05M:  $\pm 60$ mm  
06M~10M:  $\pm 100$ mm  
11M~30M:  $\pm 200$ mm  
31M~99M:  $\pm 500$ mm



7	White	白	$\triangle$ B
6	Green	綠	$\triangle$ B
5	Brown	棕	$\triangle$ B
4	Red	紅	$\triangle$ B
3	Yellow	黃	$\triangle$ B
2	Orange	橘	$\triangle$ B
1	Blue	藍	$\triangle$ B
Conn.	Wire Color		
	Pin Out		

CD-07PMFM-SL7AXX  
 $\uparrow$   
 XX:01~99Meter  
 01:01Meter  
 02:02Meters  
 :  
 :  
 99:99Meters  
 Cable Length(L):01~99Meters

UNIT:mm		TITLE	Middle, Cable Screw 7 Pin M Conn. F Pin		ITEM NO	DRAWN BY	DATE
TOLERANCE	$\pm 0.5$ mm	SCALE	Free	SHEET 1 OF 1	DWG NO	CHECKED BY	DATE
REV.	E	SIZE	A4	$\textcircled{Q}$ : Inspection Item	CUSTOMER	APPROVED BY	DATE
					ALTW	Lisa	2016/03/14

**Amphenol LTW**  
安費諾亮泰企業股份有限公司