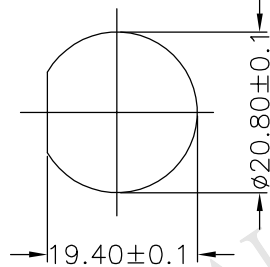
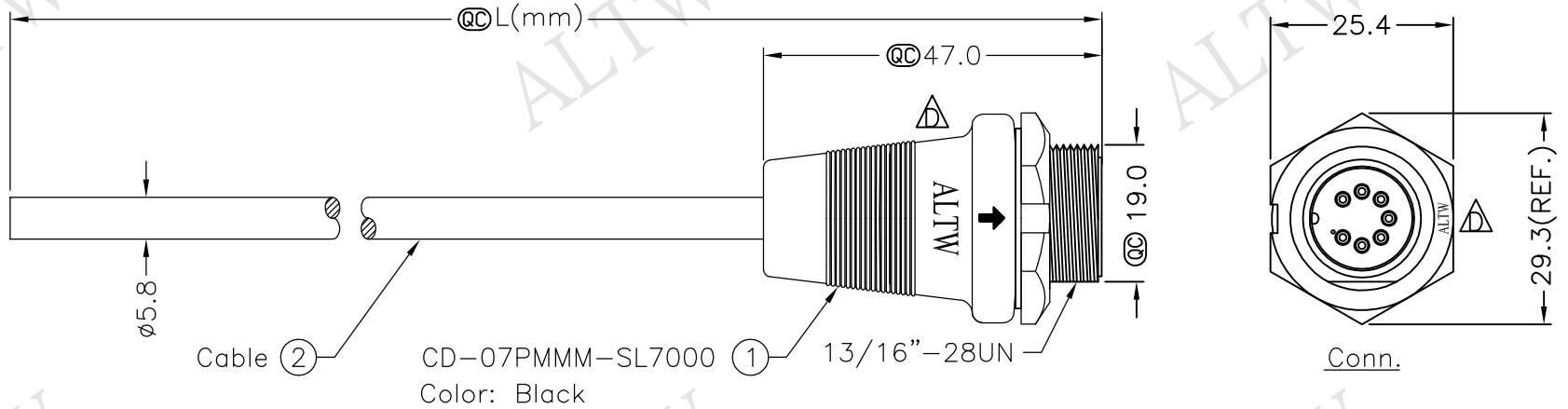
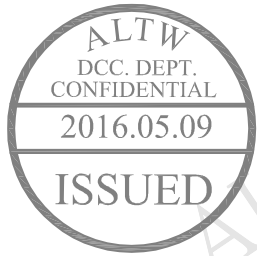


REV.	ECN NO.	DATE	SIGN	DESCRIPTION
B		04/16/2007	Myrdal Manzano	Revise Color Designation For Pin Out
C	LEN-8B0118~121	2008/09/25	Shin	Add Note
D	LEN1650036~039	2016/04/28	Ruru	Change Logo & Note



Recommended Panel Cut-Out



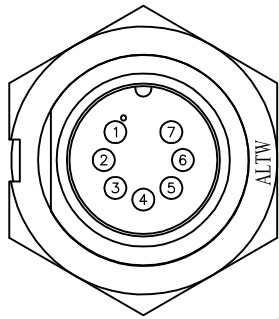
CD-07PMMM-SL7AXX

XX:01~99Meters
 01:01Meter
 02:02Meters
 :
 :
 99:99Meters

Cable Length(L):01~99Meters

Notes:

- * QC Important Dimension To Check.
- * Waterproof Rate: IP67
- * Housing: Black, Nylon+GF
- * Male Pin: Copper Alloy,Gold Plated
- * Cable: UL2464 24AWG*7C+D+AL/My Black, PVC Jacket UV Resistant, OD=5.8
- * Use with waterproof cap or dust cap
 Panel Thickness Max: 1.2mm
- * Use without waterproof cap or dust cap
 Panel Thickness Max: 2.0mm
- * Cable Length Tolerance: 01M: ±40mm
 02M~05M: ±60mm
 06M~10M: ±100mm
 11M~30M: ±200mm
 31M~99M: ±500mm



Pin Assignments Front View

7	White	白	△B
6	Green	綠	△B
5	Brown	棕	△B
4	Red	紅	△B
3	Yellow	黃	△B
2	Orange	橘	△B
1	Blue	藍	△B
Conn.	Wire Color		
	Pin Out		

UNIT:mm		TITLE Middle, Cable Screw 7 Pin M Conn. M Pin
TOLERANCE ±0.5 mm	SCALE Free	SHEET 1 OF 1
REV. D	SIZE A4	QC :Inspection Item

Amphenol LTW
 安費諾亮泰企業股份有限公司

ITEM NO	DRAWN BY Ruru	DATE 2016/04/28
DWG NO CD-07PMMM-SL7AXX	CHECKED BY Rita	DATE 2016/04/28
CUSTOMER ALTW	APPROVED BY Lisa	DATE 2016/04/28

THIS DOCUMENT IS SUBJECT TO CHANGE WITHOUT NOTICE. IT IS CONFIDENTIAL AND A PROPERTY OF Amphenol LTW. DISCLOSE TO THIRD PARTY HAS TO BE AUTHORIZED BY Amphenol LTW.