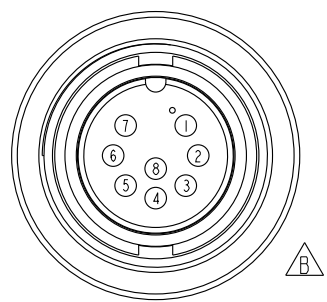
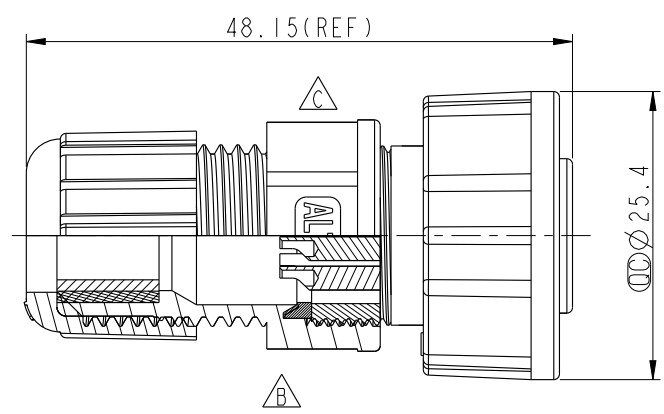
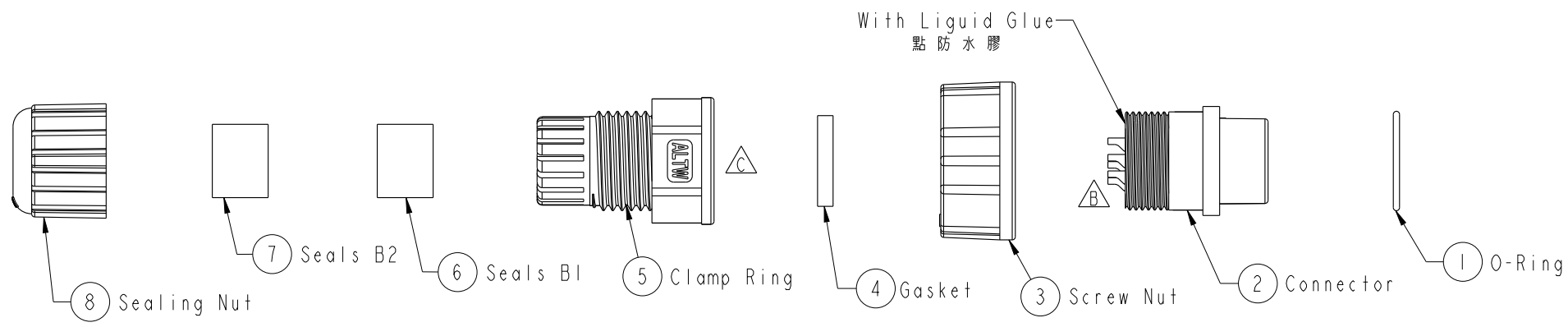


THIS DOCUMENT IS SUBJECT TO CHANGE WITHOUT NOTICE. IT IS CONFIDENTIAL AND A PROPERTY OF Amphenol LTW. DISCLOSURE TO THIRD PARTY HAS TO BE AUTHORIZED BY Amphenol LTW.

REV.	ECN NO.	DATE	SIGN	DESCRIPTION
B	LEN-0C0103	2010/11/23	IVNA	Change 前導角 View
C	LEN1741186	2017/04/11	Ruru	Change Logo
D	C200306	2020/03/19	JC Chen	△DXI



Pin Assignments  
Front View前視圖

- Note:
- \*  $\varnothing$  Important Dimension To Check.
  - \* Waterproof Rate: IP67
  - \* Housing: Nylon+GF, Black.
  - \* Female Pin: Copper Alloy, Gold Plated.
  - \* O-Ring: EPDM, Black.
  - △ \* Screw Nut: Nylon+GF, Black.
  - △ \* Gasket: Silicone, Black
  - \* Seals: EPDM, Black
  - \* Clamp Ring: Nylon, Black.
  - \* Sealing Nut: Nylon, Black.
  - \* Seals B1 for Cable OD:  $\varnothing 7.6\text{mm} \sim \varnothing 9.6\text{mm}$
  - \* Seals B2 for Cable OD:  $\varnothing 4.0\text{mm} \sim \varnothing 7.6\text{mm}$
  - \* One Set Unassembled in One PE Bag.

UNIT: mm  TOLERANCE .X ±0.25 .XX ±0.1 .XXX ±0.05 ANGLES ±1°	TITLE Middle, Assy Screw 8Pin F Conn F Pin			ITEM NO CD-08BFFA-SL7001		DRAWN BY Ruru		DATE 2017-04-11			
	SCALE 1:1			SIZE A4		SHEET 1 OF 1		CHECKED BY Rita		DATE 2017-04-11	
	REV. D			WC-REV. A.2		CUSTOMER ALTW		APPROVED BY Max		DATE 2017-04-11	
	$\varnothing$ : Inspection item			<b>Amphenol LTW</b> <b>安費諾亮泰企業股份有限公司</b>							